

AIR PREPARATION UNITS REGULATOR Series R1

Cat No R1-02

AIR REGULATOR 1/4 3/8 1/2

Features

- Conforms to ISO 6953 - 1
- Suitable for panel and modular mountings
- Non raising ' Press to Lock' adjusting knob for locking at any set pressure
- Diaphragm operated, relieving type
- Pressure compensated by Balanced poppet.
- Flow compensated in models R14 and R15 (with venturi) for faster response
- Good flow and regulating characteristics.



Technical Specifications

Model	R13	R14	R15
Medium	Compressed air - Filtered		
Port size	G 1 / 4	G 3 / 8	G 1 / 2
Pressure gauge port size	G 1 / 8	G 1 / 8	G 1 / 8
Flow rate lts / min @	600	2500	4000
Max Supply pressure	15 bar		
Regulating Pressure Range #	0.2 - 2 bar, 0.2 - 4 bar, 0.5 - 7 bar, 0.5 - 10 bar (Standard)		
Ambient / Medium temperature	5 °C - 60 °C		
Installation	Any position		
Materials of construction	Aluminium, Brass, Steel, Acetal, SS, Nitrile		
Weight	0.15 Kg	0.40 Kg	0.90 Kg
Optional accessories *	Clamp, Modular mounting kit, Pressure gauge		

@ Supply pressure 7 bar , Set pressure 6 bar , Pressure drop $\Delta p = 1$ bar (For standard models)

For details see " How to order "

* For details refer optional accessories Cat No APA - 01

Precautions

1. Note the direction of flow before installation and connect piping accordingly.
2. Flush pipings for dirt, dust, rust and other foreign particles.
3. Install in clean atmosphere.
4. Nipples of taper threads (R) to be used with teflon tape. Ensure teflon tape does not enter the unit during tightening.
Nipples of straight threads (G) to be used with sealing washer.

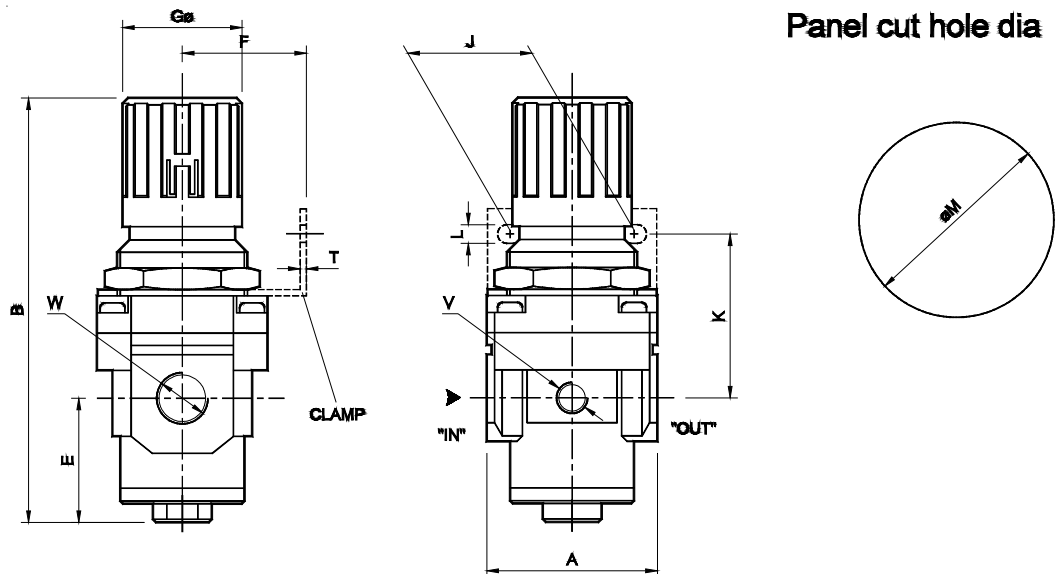
Pressure Setting

Pull the knob and adjust by turning the knob clockwise to increase the pressure. Push the knob back to its locked position. (Turning the knob counter clockwise will reduce the pressure)

AIR PREPARATION UNITS

REGULATOR Series R1

Cat No R1-02

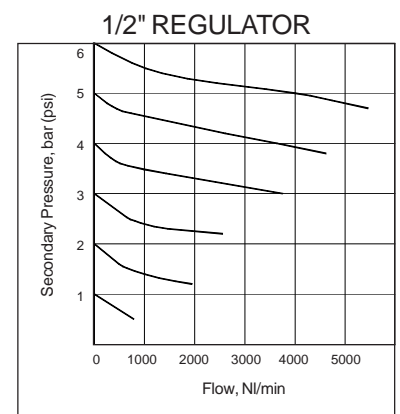
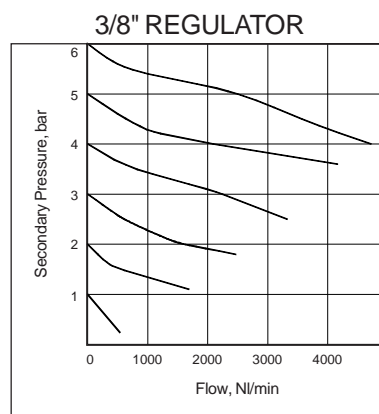
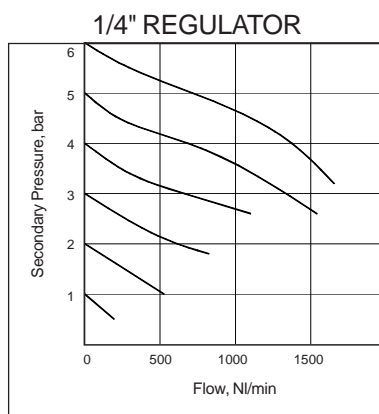


For Details of Clamp see optional accessories Cat No. APA - 01

Model	W	V	A	B	E	F	Gø	J	K	L	T	øM
R13	G 1/4	G 1/8	40 [□]	81	13	30	28	28	45	5.5	2	31
R14	G 3/8	G 1/8	55 [□]	135	40	40	40	40	53	6.5	2	43
R15	G 1/2	G 1/8	70 [□]	165	40	50	51	55	62	8.5	2	53

HYDRO PNEUMATIC ACCESSORIES
W: <http://hpa.net.in> E: inq@hpa.net.in

Flow Graphs



How to order

R 1



Body & Port size

3 6 1 -- G 1/4
4 6 2 -- G 3/8
5 6 3 -- G 1/2



Pressure Range

1 --- 0.2 - 2 bar
2 --- 0.2 - 4 bar
3 --- 0.5 - 7 bar
4 --- 0.5 - 10 bar (Standard)

Ordering Example :- Regulator - 3/8 size (with G 3/8 port), with pressure range 0.5 - 7 bar: Ordering No : R14623.
If ordered as 3/8 Regulator, our standard model R14624, G 3/8 with pressure range 0.5 -10 bar will be supplied.