



LEVER OPERATED PRESSURE HOLDING D.C.V. DLS20

ENGINEERING

1

Ref. No. P05150
Release 06/2005

Description

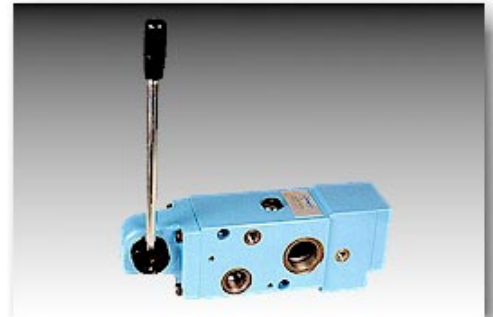
Designed for single acting cylinders which are supposed to hold pressure.

Ensures smooth decompression prior to return of the cylinder ram.

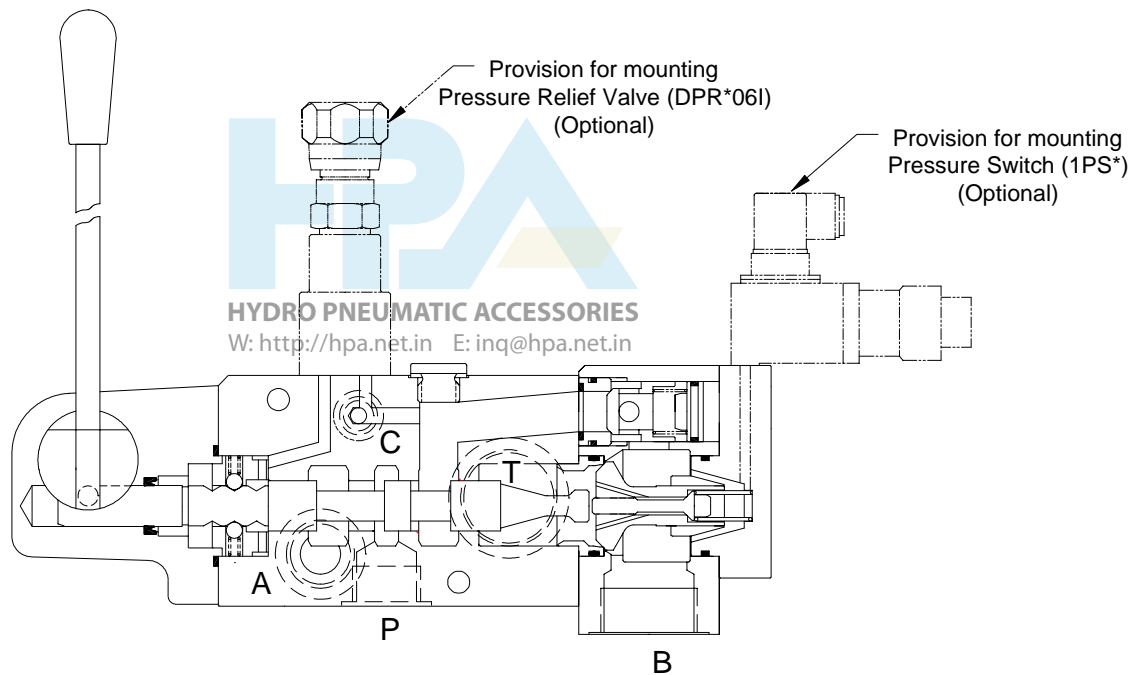
Large return oil passage to reduce pressure drops, allowing rams to return under low external forces.

Valves with Quick Exhaust feature has larger return passages. They are meant for rams having either very low retractive forces or must return rapidly under normal forces.

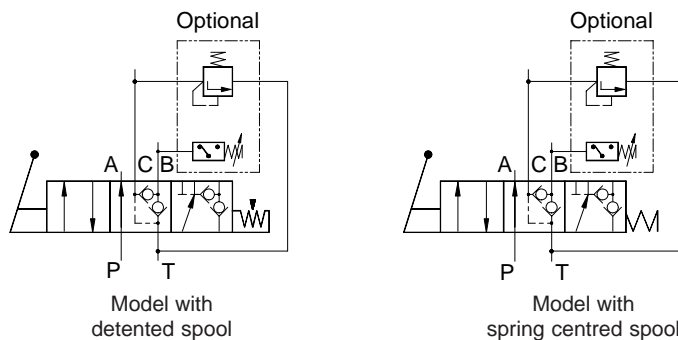
Valves can be connected in series for independent multiple single acting cylinder operations.



Section



Hydraulic Symbol



Polyhydron Pvt. Ltd.
78-80, Machhe Industrial Estate,
Machhe, Belgaum - 590 014. INDIA.

Phone : +91-(0)831-2411001
Fax : +91-(0)831-2411002
E-mail : polyhydron@vsnl.com
Website : www.polyhydron.com



LEVER OPERATED
PRESSURE HOLDING D.C.V.
DLS20

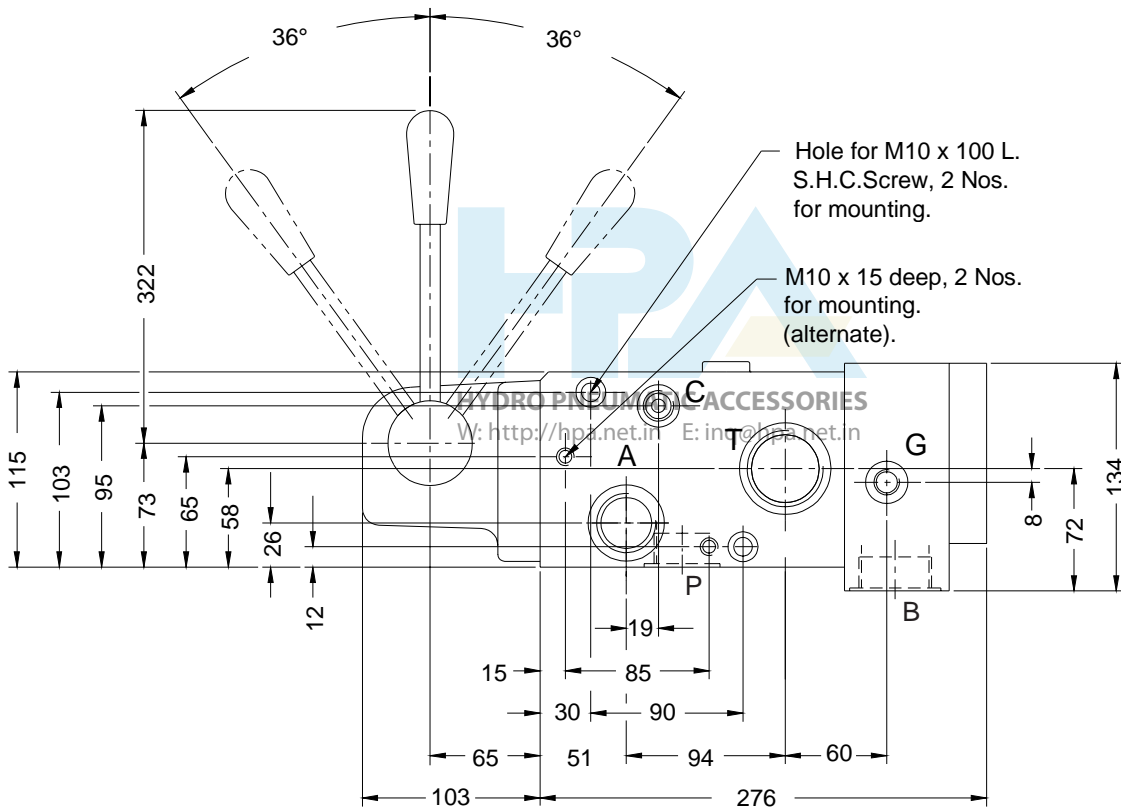
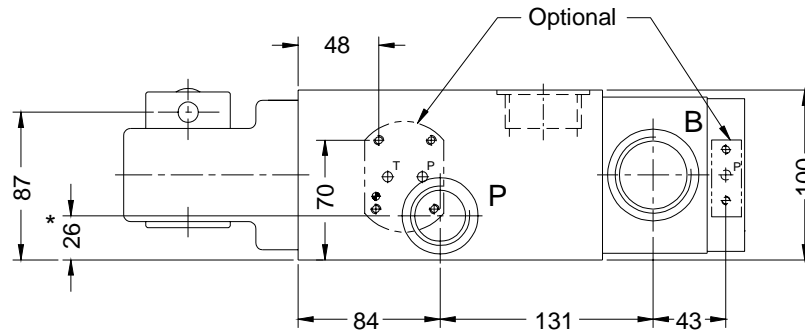
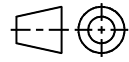
ENGINEERING

2

Ref. No. P05150

Unit dimension

Dimensions in mm.



Hole for M10 x 100 L.
S.H.C.Screw, 2 Nos.
for mounting.

M10 x 15 deep, 2 Nos.
for mounting.
(alternate).

P	B	A	C	T	G
G1	G 1 1/2	G1	G 3/8	G 1 1/2	G 1/4

Note :

Valve with 'Mirror Image' face option will have ports A, C, T and G on opposite face and dimension 26 (marked *) of port P will be 74.



**LEVER OPERATED
PRESSURE HOLDING D.C.V.
DLS20**

ENGINEERING

3

Ref. No. P05150

Technical specification

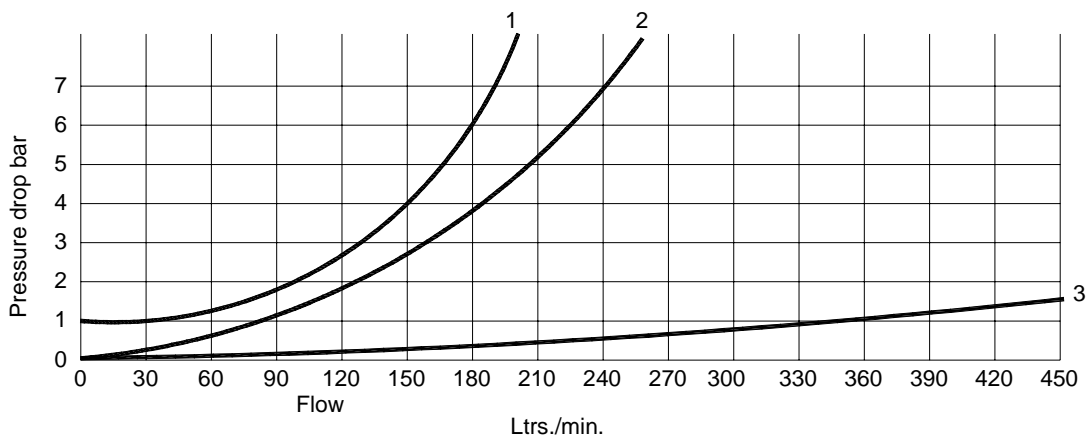
Construction Spool and poppet type.
 Mounting type Threaded body.
 Mounting position Optional, horizontal spool axis preferred.
 Flow passage Refer hydraulic symbol.
 Flow passage areas (Nominal)

Valve	Model	P to A P to B cm. sq.	B to T cm. sq.
With quick exhaust feature	DLS 20	3.1	12.4

Operating Pressure For ports P, A, B, C, G 350 bar
 T 7 bar max.

Hydraulic medium Mineral oil.
 Viscosity range 10 to 380 cSt.
 Working temperature range -20 °C to +70 °C.
 Fluid cleanliness requirement As per ISO code 16/13 or better.
 Nominal flow handling capacity Refer flow V/s. pressure drop graph.
 Mass DLS 20 25.2 kg.

Performance Curves
 (Pressure drop related to flow at 68 cSt.)



Flow from port	DLS 20
P to A	2
P to B	1
B to T	3



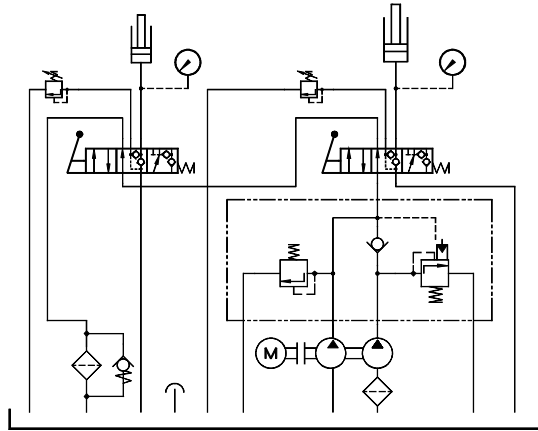
**LEVER OPERATED
PRESSURE HOLDING D.C.V.
DLS20**

ENGINEERING

4

Ref. No. P05150

Hydraulic circuit showing typical application of valves DLS 20 **



Ordering code

DLS 20 D M A B - 14

Directional control valve lever operated with pressure holding facility at it's port B.

Design code subject to change. Installation dimensions remain same. for design code 10 thru 19.

Size 20

HPA
HYDRO PNEUMATIC ACCESSORIES
W: <http://hpa.net.in> E: inq@hpa.net.in

Spool holding options	
Spring centred	S
Detented	D

Provision for mounting Pressure Relief Valve (DPR*06I)
Omit if not required

Face option for ports A, C, T, and G only	
For valve porting shown in unit dimension drawing	Omit
Ports on opposite face (mirror image)	M

Provision for mounting Pressure Switch (1PS*) (350 bar max. on port B)
Omit if not required