

COMPACT VALVE - 1/2

Series DS2

Cat No DS2 - 01 - 06

COMPACT VALVE - G1/2

Features

- Suitable for manifold mounting
- Mounting provision for individual unit
- Compact size
- Manual override
- Wide range of manifolds available
- Wide range of coil voltages

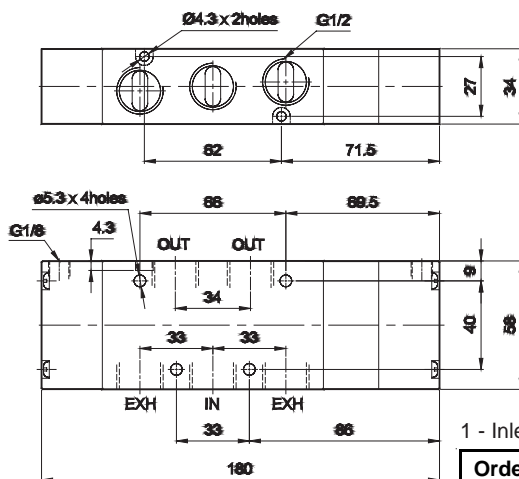


Technical Specifications

Model	DS2
Type	5/3
Design	Spool type
Port Size	Inlet, Outlet, Exhaust - G1/2, External pilot - G1/8
Medium	Compressed air - Dry, filtered, lubricated
Working Pressure range	2 - 10 bar
Recommended oil for lubrication	ISO VG32 (Servo system 32)
Ambient / Medium temperature	5° - 60° C
Flow [®]	3500 lts/min
Materials of construction	Aluminium, Nitrile, Brass, Acetal
Electrical	
Coil width	22 mm
Voltage (V) ± 10%	AC (50 Hz) - 24, 48, 110, 220 DC - 12, 24, 48, 110
Power consumption	AC - 6 VA, DC - 5 W
Duty cycle	Continuous
Class of insulation	Class F
Type of coil protection	IP65

@ Inlet pressure 6 bar, and pressure drop 1 bar

5 / 3 Double External pilot operated valve (with spring centered)



1 - Inlet, 2,4 - Outlet, 3,5 - Exhaust, 14,12 - External pilot

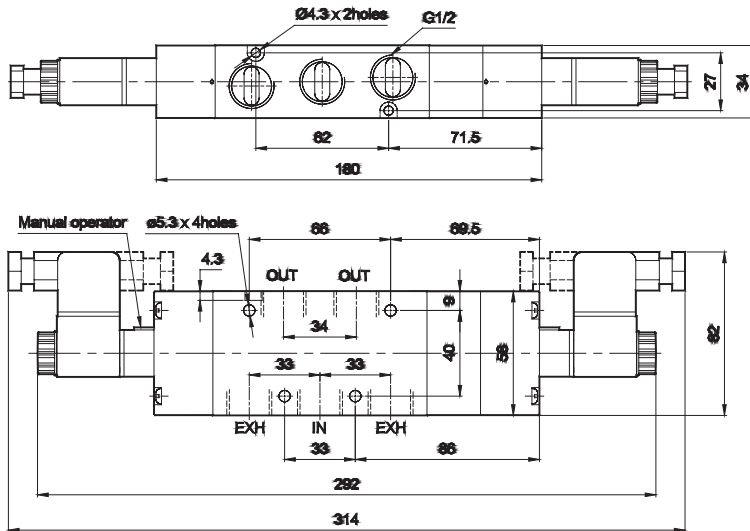
Ordering No	DS267EC63	DS277EC63	DS287EC63
Type	Blocked	Exhausted	Energised
Symbol			

COMPACT VALVE - 1/2

Series DS2

Cat No DS2 - 01 - 06

5 / 3 Double solenoid pilot operated valve (with spring centered)



1 - Inlet, 2,4 - Outlet, 3,5 - Exhaust

Ordering No*	DS267SC63	DS277SC63	DS287SC63
Type	Blocked	Exhausted	Energised
Symbol	 513	 513	 513

W: <http://www.janatics.com> For ordering No, voltage to be added.

COMPACT VALVE - 1/2

Series DS2

Cat No DS2 - 01 - 06

How to order

1. Solenoid valve + “ Connectors without LED ”

While ordering Solenoid operated valves, please mention the suffix given below along with the model number to indicate the required voltage



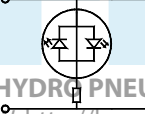
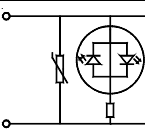
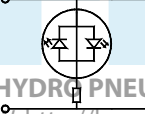
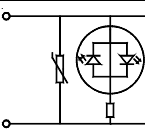


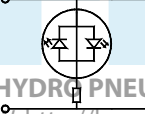
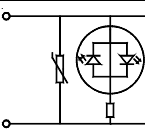
A	220V AC	Q	110V DC
B	110V AC	S	48V DC
D	48V AC	W	24V DC
G	24V AC	R	12V DC

Example

- a. The ordering no. for 5/3 Energised valve, 24V D.C coil with PG cable is **DS267SC63-W**
- b. The ordering no. for 5/3 Energised valve, 24V D.C coil with Moulded cable is **DS267SC63-W1**

2. Solenoid valve + “ Connectors with LED ”

While ordering Solenoid operated valves with LED connectors, given below in the corresponding tables.

 <table border="1" style="width: 100%; border-collapse: collapse;"> <thead> <tr> <th colspan="2">Voltage</th> </tr> </thead> <tbody> <tr> <td>A</td> <td>220V AC</td> </tr> <tr> <td>G</td> <td>24V AC</td> </tr> <tr> <td>W</td> <td>24V DC</td> </tr> </tbody> </table>	Voltage		A	220V AC	G	24V AC	W	24V DC	 <table border="1" style="width: 100%; border-collapse: collapse;"> <thead> <tr> <th colspan="2">Housing Colour & Indication</th> </tr> </thead> <tbody> <tr> <td style="width: 10%; text-align: center;">T0</td> <td style="text-align: center;">  Transparent housing with Bipolar LED indicator confirming supply voltage </td> </tr> <tr> <td style="text-align: center;">T1</td> <td style="text-align: center;">  Transparent housing with Bipolar LED indicator confirming supply voltage plus varistor to give over voltage protection to the source and load </td> </tr> </tbody> </table>	Housing Colour & Indication		T0	 Transparent housing with Bipolar LED indicator confirming supply voltage	T1	 Transparent housing with Bipolar LED indicator confirming supply voltage plus varistor to give over voltage protection to the source and load	 <table border="1" style="width: 100%; border-collapse: collapse;"> <thead> <tr> <th colspan="2">LED colour</th> </tr> </thead> <tbody> <tr> <td>R</td> <td>Red</td> </tr> </tbody> </table>	LED colour		R	Red	 <table border="1" style="width: 100%; border-collapse: collapse;"> <thead> <tr> <th colspan="2">Connection type</th> </tr> </thead> <tbody> <tr> <td style="width: 10%; text-align: center;">0</td> <td>PG9 Cable entry</td> </tr> <tr> <td style="text-align: center;">1</td> <td>Moulded cable (with 2metre length)</td> </tr> </tbody> </table>	Connection type		0	PG9 Cable entry	1	Moulded cable (with 2metre length)
Voltage																											
A	220V AC																										
G	24V AC																										
W	24V DC																										
Housing Colour & Indication																											
T0	 Transparent housing with Bipolar LED indicator confirming supply voltage																										
T1	 Transparent housing with Bipolar LED indicator confirming supply voltage plus varistor to give over voltage protection to the source and load																										
LED colour																											
R	Red																										
Connection type																											
0	PG9 Cable entry																										
1	Moulded cable (with 2metre length)																										

Example

The Ordering no for 5/3 Energised valve, 24V DC, connectors with LED of Transparent colour housing with Bipolar LED and varistor with moulded cable: **DS267SC63-WT1R1**

Note : For more details and to order solenoid connectors separately, refer Cat No K - 01 - 01