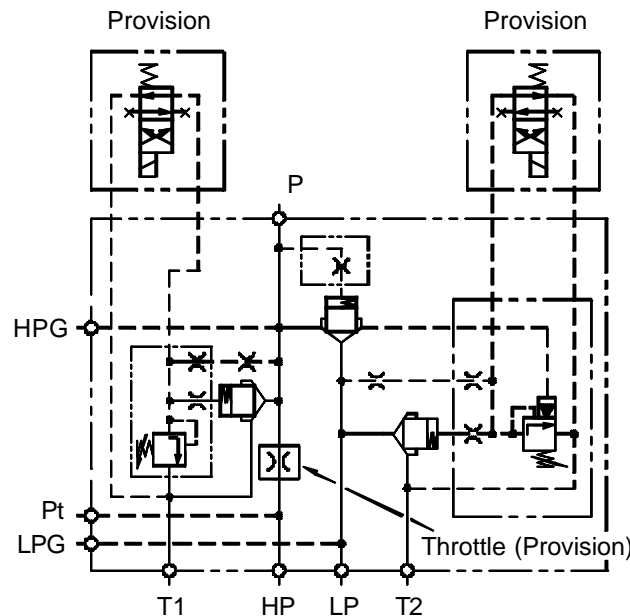


Description

Designed to control double pumps of Hi-Low system. Unloads low pressure pump when system pressure rises above the pressure set on Unloader valve. Relieves high pressure pump when system pressure reaches the value. Solenoid unloading facility available as an option.



Hydraulic symbol



PCM 20/16

Connection details

- | | | |
|-----|------|--|
| HP | ---- | High pressure pump connection. |
| LP | ---- | Low pressure pump connection. |
| P | ---- | Out-let connection. |
| HPG | ---- | Gauge connection on high pressure pump line. |
| LPG | ---- | Gauge connection on low pressure pump line. |
| Pt | ---- | Pilot pressure connection (Optional). |
| T1 | ---- | Tank connection of high pressure relief valve. |
| T2 | ---- | Tank connection of low pressure unloading valve. |



PRESSURE CONTROL MODULE PCM 20 - 16

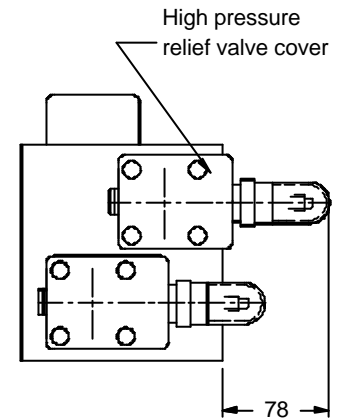
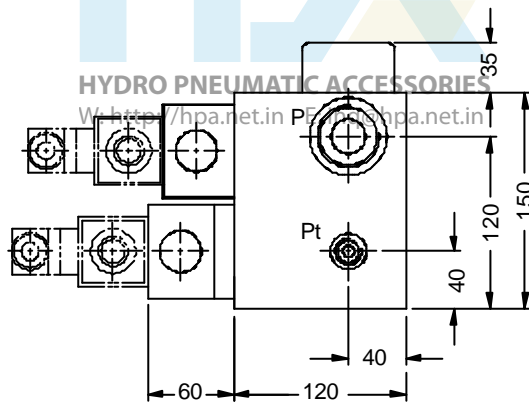
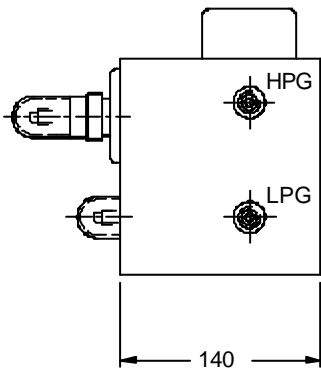
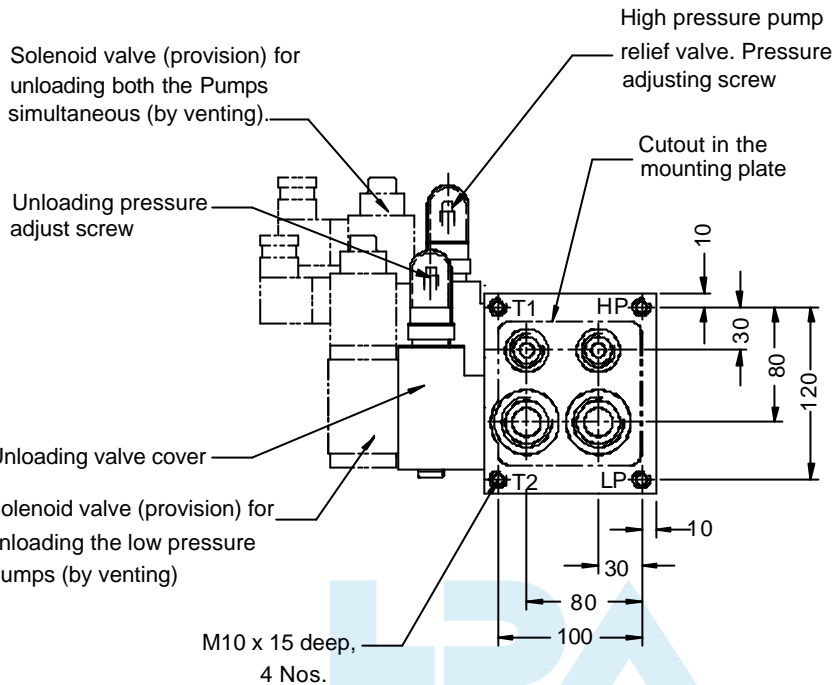
ENGINEERING

2

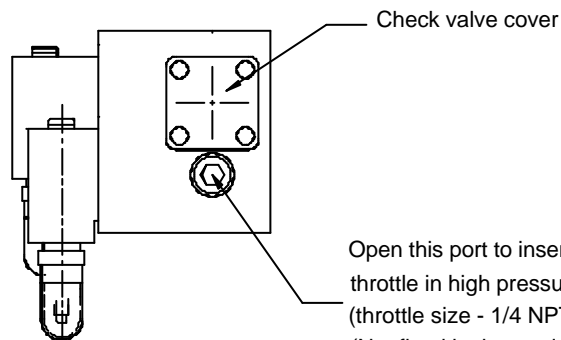
Ref. No. P04902

Unit dimension

Dimensions in mm.



Port	Details
HP	G3/4
LP	G1
P	G1 1/4
Pt	G1/4
HPG	G1/4
LPG	G1/4
T1	G3/4
T2	G1



Open this port to insert throttle in high pressure line. (throttle size - 1/4 NPT). (Not fixed in the module, unless specified.)



**PRESSURE CONTROL MODULE
PCM 20 - 16**

ENGINEERING

3

Ref. No. P04902

Technical specification

Construction PCM 20/16Two stage poppet type high pressure relief valve.
Two stage poppet type low pressure unloading valve. All valves fitted in cavities machined as per DIN 24342

MountingThreaded bodies : company standards

Mounting positionOptional

Flow directionAs per hydraulic symbol.

Operating pressureFor low pressure pump 50 and 100 bar.
For high pressure pump 100, 200, 315 bar.

Hydraulic mediumMineral oil

Viscosity range10 cSt to 380 cSt.

Fluid temperature range-20 °C to +70 °C

Fluid cleanliness requirementAs per ISO 16/13

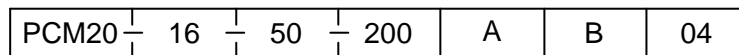
Maximum flow handling capacity	Model	High pressure	Low pressure
	PCM 20/16	100 l / min.	160 l / min.

Combined flow in case of model PCM 20/16 must not be more than 260l/min.

Mass14 Kg. APPROX.

Ordering code

HYDRO PNEUMATIC ACCESSORIES
W: <http://hpa.net.in> E: inquiry@hpa.net.in



Pressure control module with size 20 Unloader valve.

High pressure relief valve Size 16

Unloader pressure adjustment spring rating 50, 100 bar.

High pressure relief valve pressure adjustment spring rating 100, 200 & 315 bar.

Design code subject to change. Installation dimensions remain same. for design code 01 thru 09.

B Solenoid unloading (provision) for low pressure relief valve. (Omit, if not required)

A Solenoid unloading (provision) for high pressure unloading valve. (Omit, if not required)

Note : Solenoid (refer spool type) and Subplate to be ordered separately.

