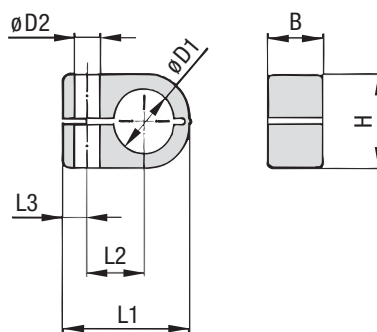
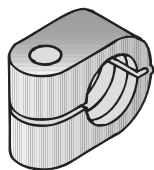
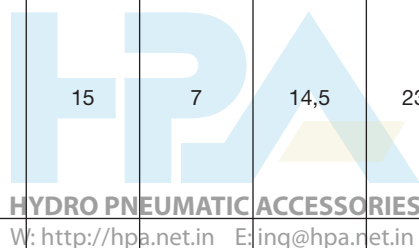


**Applications:** Pneumatics, Instrumentation and Automotive Technology, Machine Tool Industry, Lubrication, Mechanical Engineering. Also suitable for cables and hoses.

**Type LN**

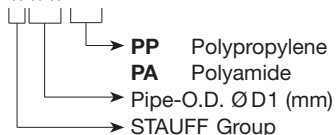


STAUFF Group	Outside diameter Tube or Hose ØD1 mm	Nominal bore Pipe inch	L1	L2	L3	B	H	øD2	Clamp Material XX	Colour
1	06		22	9	7	14,5	13,5	6,8	PP PA	green black
	06,4	1/4								
	08									
2	08		27	11	7	14,5	18,5	6,8	PP PA	green black
	09,5	3/8								
	10	1/8								
	12									
	12,7	1/2								
3	10	1/8	33	15	7	14,5	23,5	6,8	PP PA	green black
	12									
	12,7	1/2								
	13,5	1/4								
	14									
	16	5/8								
4	14		40	19	7	14,5	30,5	6,8	PP PA	green black
	15									
	16	5/8								
	17,2	3/8								
	18									
	19	3/4								
	20									
	21,3	1/2								
22										



**ORDER CODE**

**LN \*\*\* xx**



Other thermoplastics and diameters on request.