



DIRECT ACTING PRESSURE REDUCING VALVE DPMS

ENGINEERING

1

Ref. No. P04479
Release 09/2000

Description

Direct acting, spool type pressure reducing valve with control of pressure from either secondary circuit (Model DPMS 06 SA) or from a remote source (Model DPMS 06 SB).

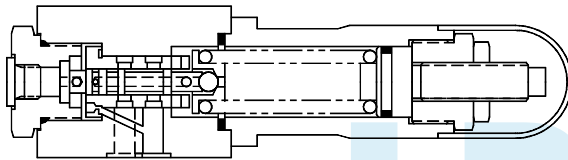
Four pressure rating 25, 50, 100, 200 bar with primary pressure rating to 315 bar.

Optional check valve can be supplied as a stackable module.

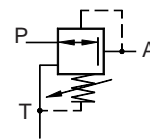
Pressure setting by screw adjustment.



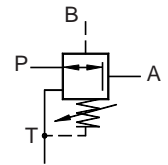
Section



Hydraulic Symbol



Model
DPMS 06 SA



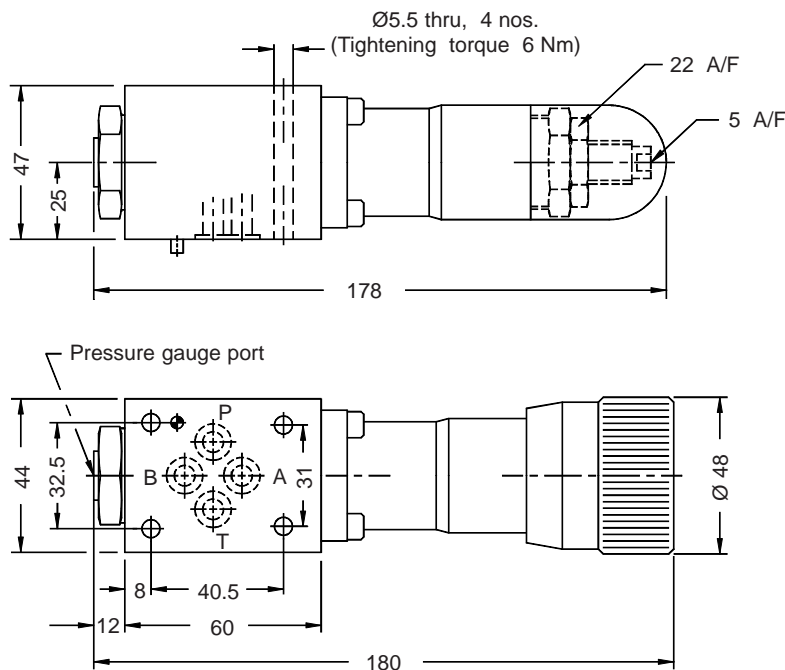
Model
DPMS 06 SB

Unit dimension

HYDRO PNEUMATIC ACCESSORIES
W: <http://hpa.net.in> E: inq@hpa.net.in

Valve

Dimensions in mm.



Polyhydron Pvt. Ltd.
78-80, Machhe Industrial Estate,
Machhe, Belgaum - 590 014. INDIA.

Phone : +91-(0)831-411001
Fax : +91-(0)831-411002
E-mail : polyhydron@vsnl.com
Website : www.polyhydron.com



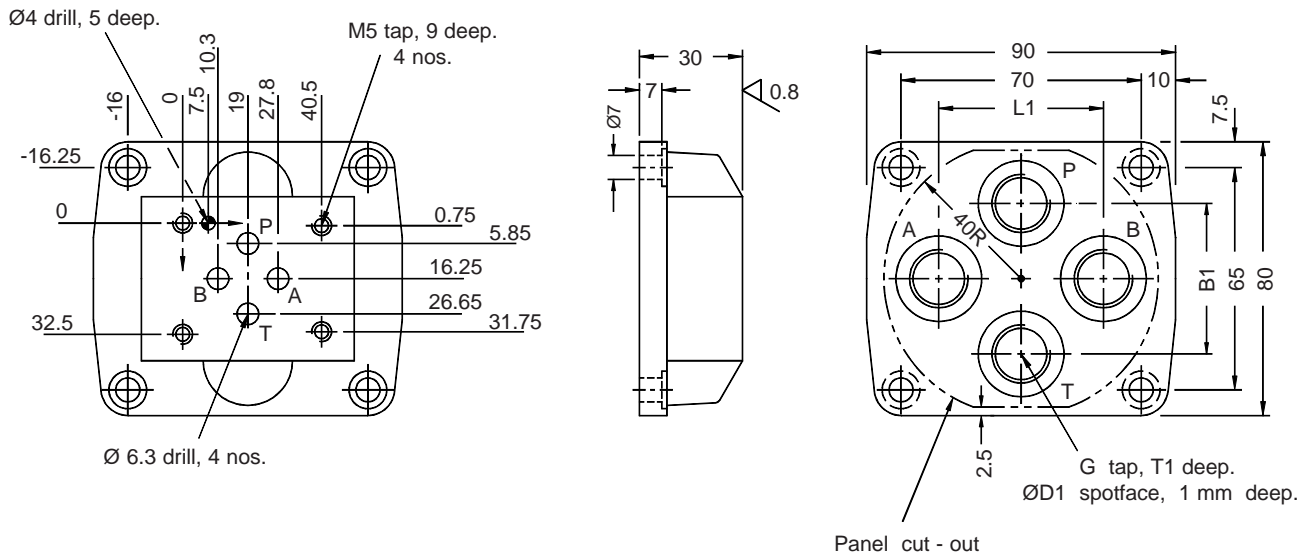
DIRECT ACTING PRESSURE REDUCING VALVE DPMS

ENGINEERING

2

Ref. No. P04479

Subplate



Subplate	B1	$\text{Ø} D1$	G	L1	T1
1SD03G02	34	22	G1/4	36	12
1SD03G03	44	25	G3/8	48	12

HYDRO PNEUMATIC ACCESSORIES
W: <http://hpa.net.in> E: inq@hpa.net.in

Technical specification

Construction	Direct acting spool type.
Mounting	Subplate mounting as per ISO 6403.
Mounting position	Optional.
Flow direction	From port P to A.
Operating pressure	For port P 315 bar. For port A and B 200 bar. For port T 60 bar max.
Hydraulic medium	Mineral oil.
Viscosity range	10 cSt to 380 cSt.
Fluid temperature range	-20 °C to +70 °C.
Fluid cleanliness requirement	As per ISO 16/13.
Maximum flow handling capacity	Refer graph.
Mass	1.54 kg.



**DIRECT ACTING
PRESSURE REDUCING VALVE
DPMS**

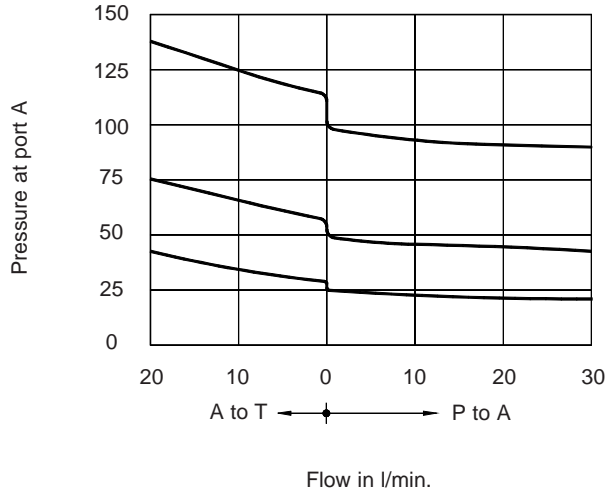
ENGINEERING

3

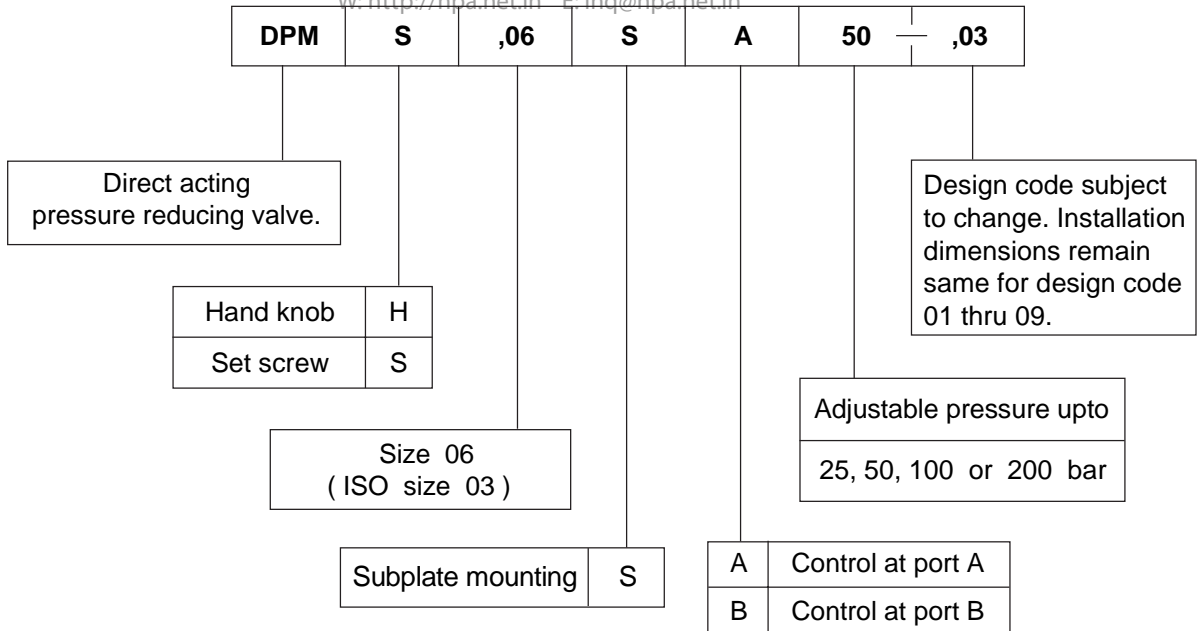
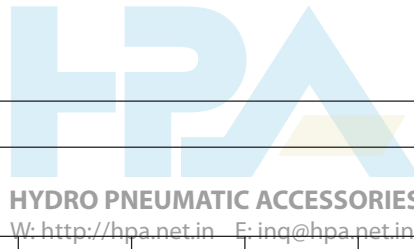
Ref. No. P04479

Performance Curve

Oil used : ISO VG 68, Viscosity : 68 cSt @ 40 °C, Temp. @ test : 52 - 55 °C.



Ordering code



Note : Subplate to be ordered separately.



DIRECT ACTING
PRESSURE REDUCING VALVE
DPMS

ENGINEERING

4

Ref. No. P04479

