



# PRESSURE COMPENSATED FLOW CONTROL VALVE 2PF

ENGINEERING

1

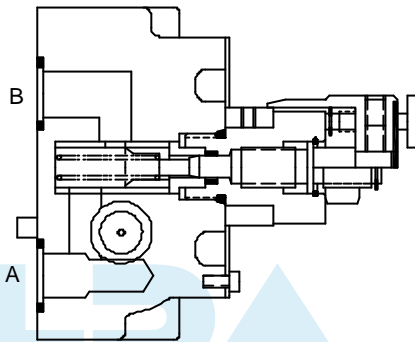
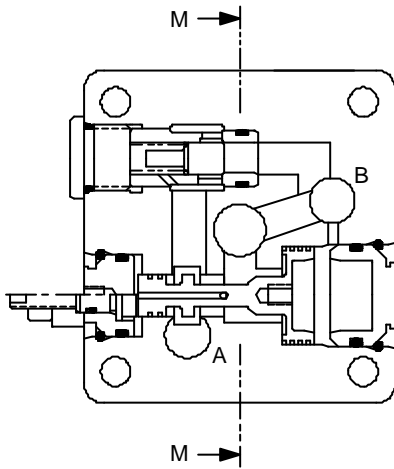
Ref. No. P05083  
Release 07/2004

## Description

Pressure compensated.  
Check valve option for reverse free flow.  
Four rotations of hand knob to facilitate setting with ease.  
Stroke limiter option available for surge free starts at any flow setting.  
Thumb screw provision to retain valve setting.

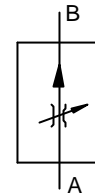


## Section

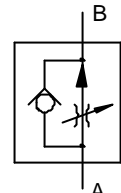


Section 'MM'  
Handknob & Set screw

Hydraulic Symbol



Without  
Check valve



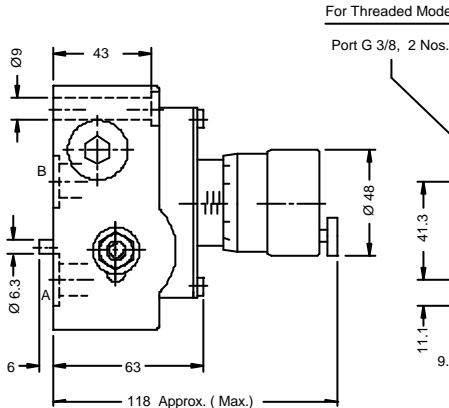
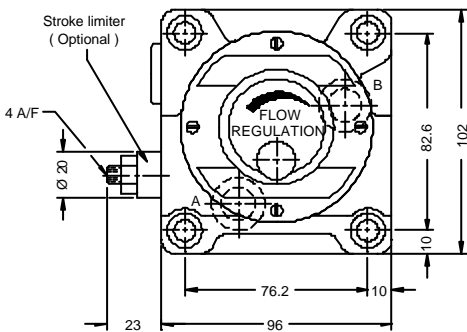
With  
Check valve

## Unit dimension

HYDRO PNEUMATIC ACCESSORIES  
W: <http://hpa.net.in> E: [inq@hpa.net.in](mailto:inq@hpa.net.in)

### Valve

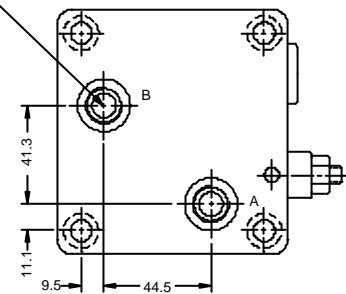
Dimensions in mm.



Model : 2PFH10\*\*

Model : 2PFS10\*\*

For Threaded Model  
Port G 3/8, 2 Nos.



**Polyhydron Pvt. Ltd.**  
78-80, Machhe Industrial Estate,  
Machhe, Belgaum - 590 014. INDIA.

**Phone** : +91-(0)831-2411001  
**Fax** : +91-(0)831-2411002  
**E-mail** : [polyhydron@gmail.com](mailto:polyhydron@gmail.com)  
**Internet** : [www.polyhydron.com](http://www.polyhydron.com)



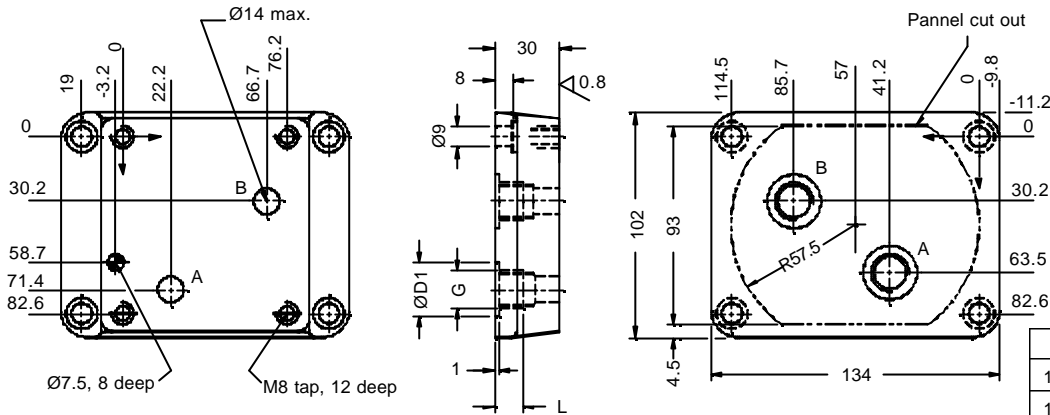
# PRESSURE COMPENSATED FLOW CONTROL VALVE 2PF

**ENGINEERING**

**2**

**Ref. No. P05083**

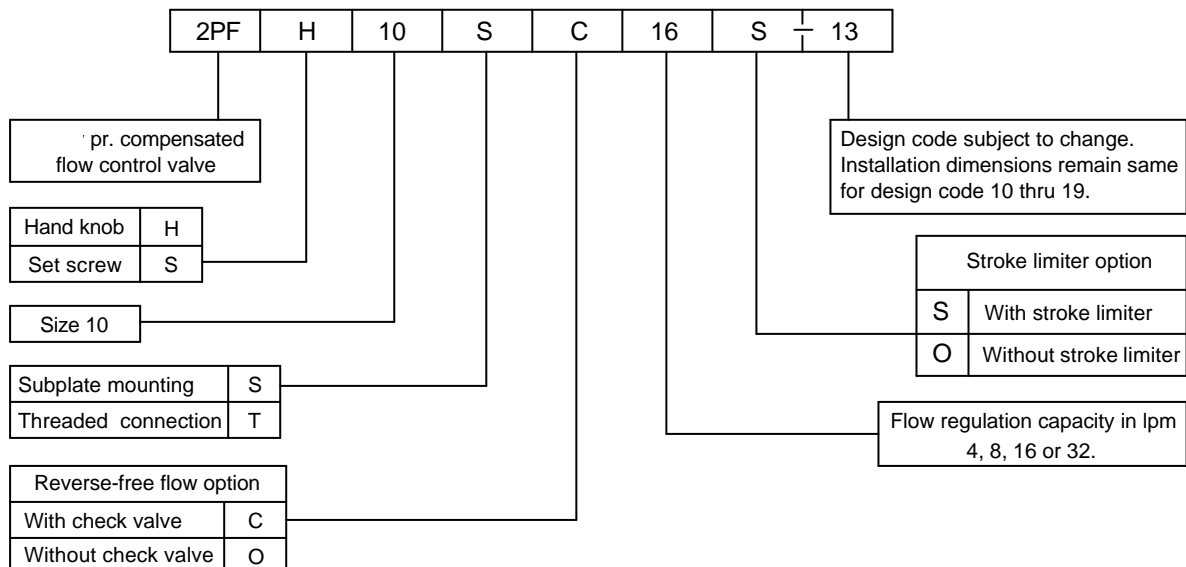
Subplate dimensional information is only for reference.



## Technical specification

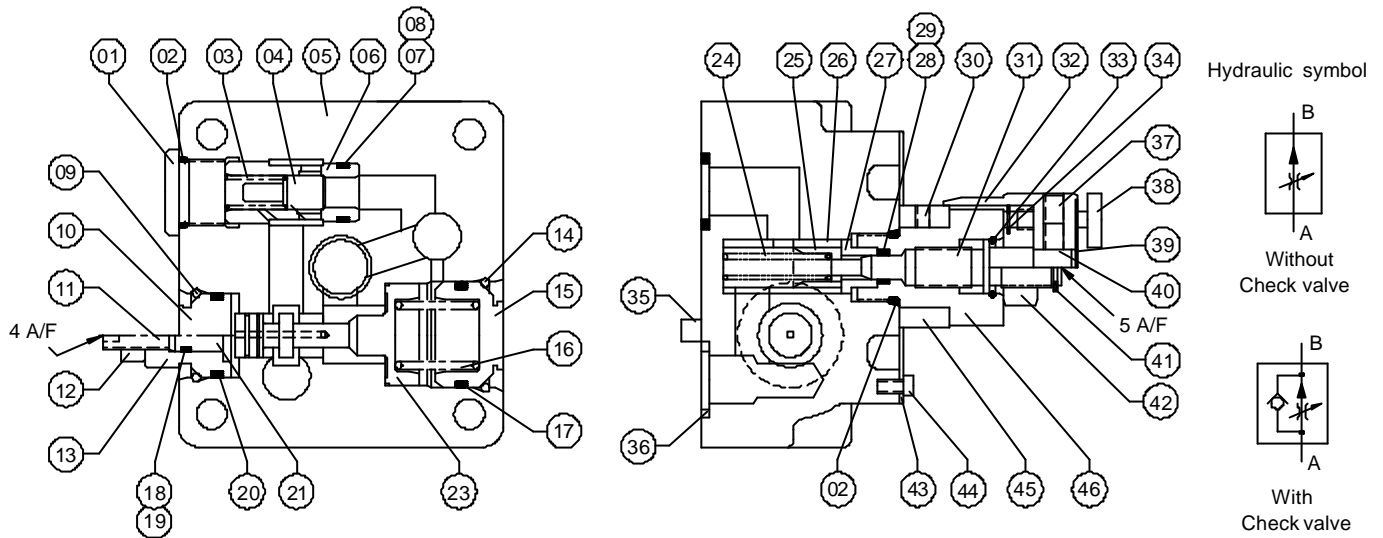
Construction .....	Differential piston with sharp edge orifice.
Mounting .....	Threaded and Subplate mounting.
Mounting position .....	Optional.
Interface .....	CETOP 06, ANSI 2 F02 ISO 6263-06-05.
Flow direction .....	Controlled flow from Port A to B with optional reverse-free check valve.
Operating pressure .....	315 bar.
Minimum Pressure differential .....	Between Port A & B 7 bar.
Hydraulic medium .....	Mineral oil.
Viscosity range .....	10 cSt to 380 cSt.
Working temperature range .....	-20 °C to +70 °C
Fluid cleanliness requirement .....	As per ISO 16/13 or better.
Flow controlling capacity .....	Minimum 0.25 to 4, 8, 16 or 32 lpm.
Flow Controlling Accuracy .....	±2%
Mass .....	4.2 kg APPROX.

## Ordering code



Note : Subplate to be ordered separately

**Sectional View and Spare part details**



Sl.no.	Description	Qty.
1	Plug	1
* 2	O' Ring (Viton)	2
3	Spring	1
4	Poppet	1
5	Body	1
6	Check Valve Bush	1
7	O' Ring	1
8	Backup Ring	2
9	Spring Ring Sl. No.17	1
10	End Cover	1
11	Socket Set Screw	1
12	Check Nut	1
13	Stroke limiter cover	1
14	Spring Ring Sl. No 5	1
15	Rear end cover	1
16	Spring	1
* 17	O' Ring (Viton)	1
* 18	O' Ring (Viton)	1
19	Backup Ring	1
* 20	O' Ring (Viton)	1
21	Stroke Adjuster	1
--	--	--
23	Spool	1

Sl.no.	Description	Qty.
24	Spring	1
25	Piston	1
26	Orifice Body	1
27	Bush	1
28	O' Ring (Viton)	1
29	Backup Ring	1
30	Socket Set Screw	1
31	Spindle	1
32	Knob	1
33	Spring Ring Sl. No.15	1
34	Circlip External	1
35	Spring Dowel	1
* 36	O' Ring (Viton)(For Subplate Model only)	2
37	Socket Set Screw	1
38	Lock Screw	1
39	Label	1
40	Spindle	1
41	Circlip External	1
42	Check Nut	1
43	Label Plate	1
44	Cheese Head Screw	4
45	Graduation Ring	1
46	Gland	1

Note : \* Recommended seal kit. \* & □ Recommended spare kit.  
While ordering the individual spares / seal kit / spare kit give part.no.  
and complete details of model code as punched on the pump body.