

Shut off Valve - Cartridge, Model : KHSLB



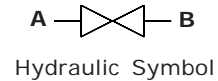
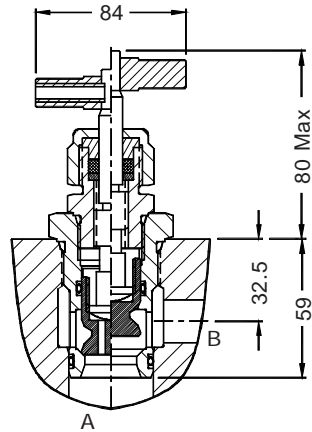
the right connection

Ref. No : H03320, Release Jan 2006 (Dimensions in mm)

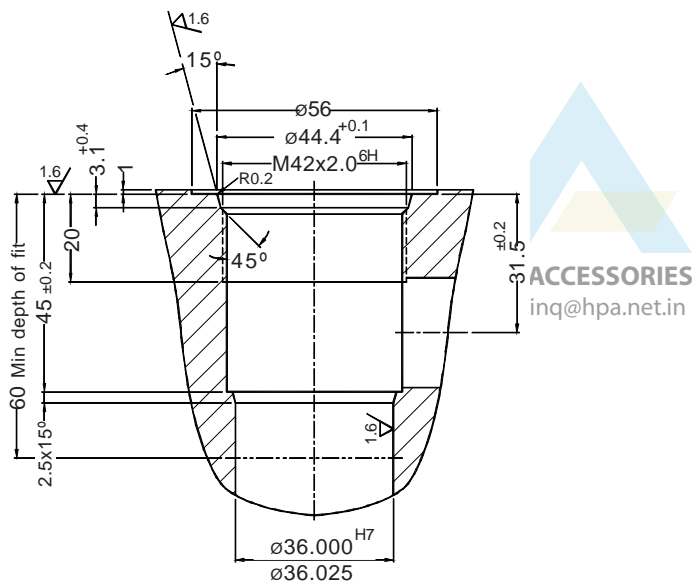
Description

Shut off valve Cartridge model **KHSLB25-2.0** are seat type. Balanced sealed poppet construction to reduce operating forces.

Unit Dimensions



Cavity Details



ACCESSORIES
inq@hpa.net.in

Technical Specifications

- Construction Seat type valve.
- Mounting Insert in cavity conforming to factory standard.
- Mounting position Optional.
- Flow direction From port `A' to port `B'.
- Operating pressure 350 bar.
- Hydraulic medium Mineral oil.
- Viscosity range 10 cSt to 380 cSt.
- Fluid temperature range -20 °C to +70 °C.
- Fluid cleanliness requirement As per ISO 19/16 or better.
- Maximum flow handling capacity Refer graph.

Shut off Valve - Cartridge, Model : KHSLB

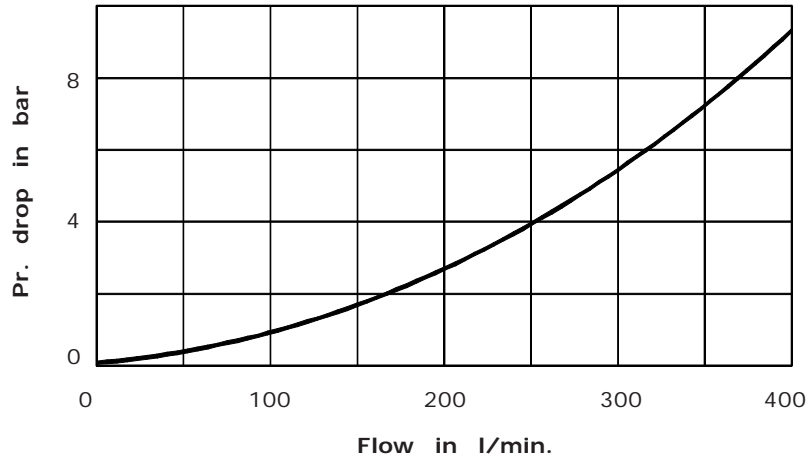


the right connection

Ref. No : H03320, Release Jan 2006 (Dimensions in mm)

Performance Curves

Oil used : ISO VG 68,
 Viscosity : 68 cSt @ 40 °C
 Test conducted at : 50 °C.



Ordering Code

