

# Needle Valve - Cartridge, Model : KHNL



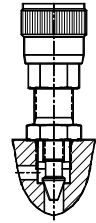
the right connection

Ref. No : H03082, Release Jan 2006 (Dimensions in mm)

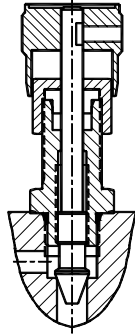
## Description

Cartridge type Needle valves model KHNL are rising spindle, seat type valves with metal seat for leak-free closure between its port 'A' & 'B'.

The mounting cavity confirms to Factory standard.



## Section

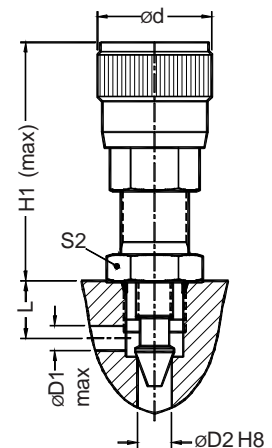


Hydraulic Symbol

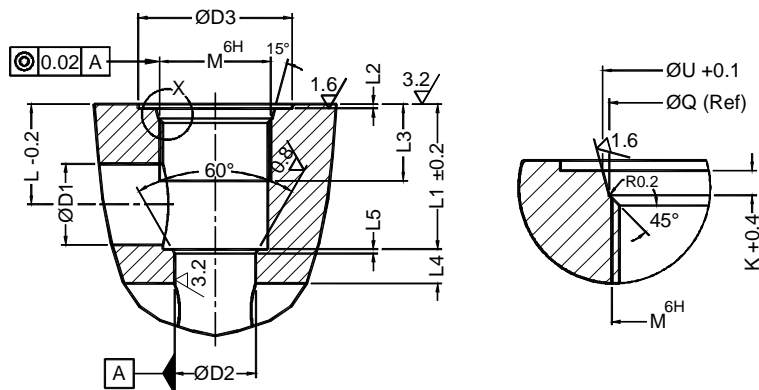
## Unit Dimensions

Valve

Model Code	Size	L	H1	ØD1	ØD2	Ød	S2
KHNL08-2.0	8	18	85.5	11	8	37	27
KHNL11-2.0	11	18	85.5	11	11	37	27
KHNL14-2.0	14	23	87.0	19	14	48	32
KHNL19-2.0	19	23	87.0	19	19	48	32
KHNL28-2.0	28	33	108.5	28	28	68	50



## Cavity machining details



Model Code	ØD1	ØD2	ØD3	L	L1	ØU	ØQ	L2	L3	L4	L5	K	M
KHNL08-2.0	10	8	31.0	18	24	21.8	20.5	0.2	16	3	0.5	2.4	M20x1.5
KHNL11-2.0	10	11	31.0	18	24	21.8	20.5	0.2	16	3	0.5	2.4	M20x1.5
KHNL14-2.0	19	14	36.0	23	33	27.8	26.5	0.2	18	5	1.0	2.4	M26x1.5
KHNL19-2.0	19	19	36.0	23	33	27.8	26.5	0.2	18	5	1.0	2.4	M26x1.5
KHNL28-2.0	28	28	54.5	33	51	44.4	42.7	1.0	24	7	1.5	3.1	M42x2.0

# Needle Valve - Cartridge, Model : KHNL



the right connection

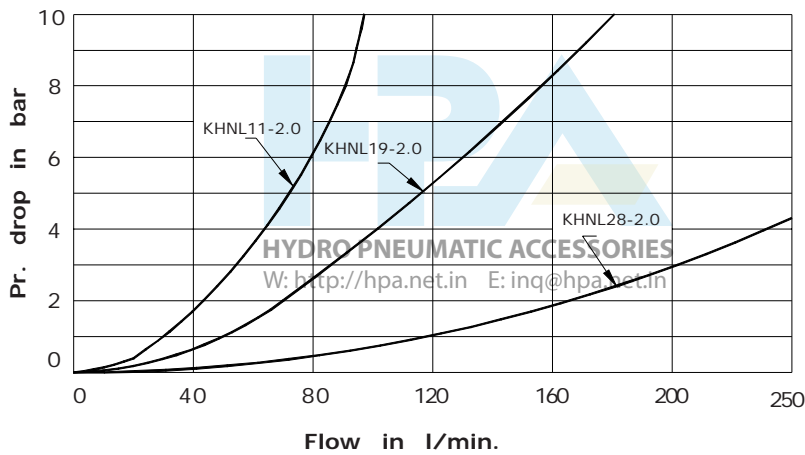
Ref. No : H03082, Release Jan 2006 (Dimensions in mm)

## Technical Specifications

- Construction . . . . . Seat type valve.
- Mounting . . . . . Insert in cavity conforming to factory standard.
- Mounting position . . . . . Optional.
- Flow direction . . . . . From port `A' to port `B'.
- Operating pressure . . . . . 350 bar.
- Hydraulic medium . . . . . Mineral oil.
- Viscosity range . . . . . 10 cSt to 380 cSt.
- Fluid temperature range . . . . . -20 °C to +70 °C.
- Fluid cleanliness requirement . . . . . As per ISO 19/16 or better.
- Maximum flow handling capacity . . . . . Refer graph.

## Expected performance Curves

- Oil used : ISO VG 68,
- Viscosity : 68 cSt @ 40 °C
- Test conducted at : 50 °C.



## Ordering Code

