



LEVER OPERATED DIRECTIONAL CONTROL VALVE DLS10

ENGINEERING

1

Ref. No. P09072
Release 09/2000

Description

Designed for single acting cylinders which are supposed to hold pressure.

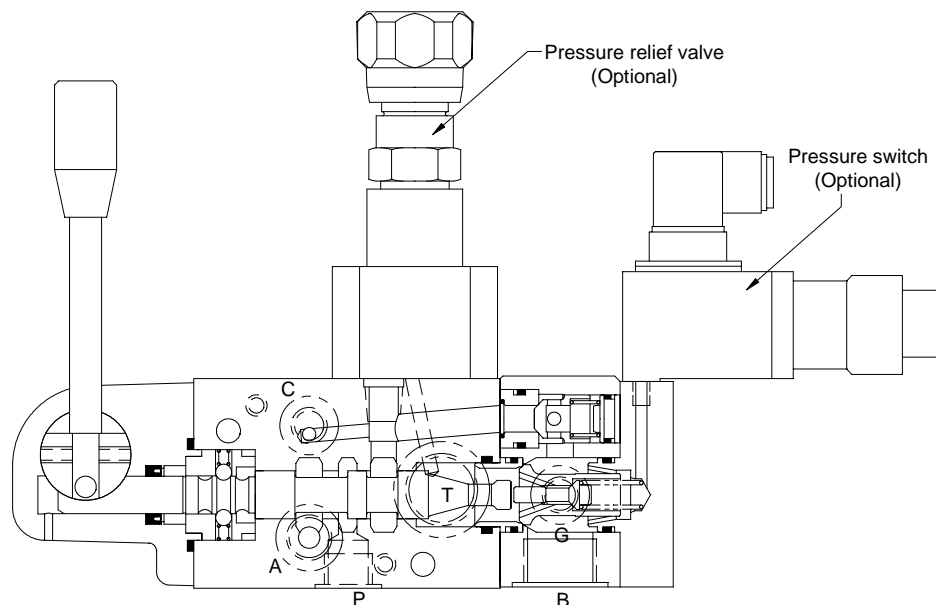
Ensures smooth decompression prior to return of the cylinder ram.

Large return oil passage to reduce pressure drops, allowing rams to return under low external forces.

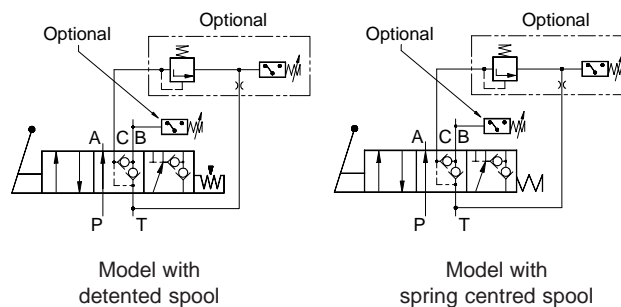
Valves can be connected in series for independent multiple single acting cylinder operations.



Section



Hydraulic Symbol



Polyhydron Pvt. Ltd.
78-80, Machhe Industrial Estate,
Machhe, Belgaum - 590 014. INDIA.

Phone : +91-(0)831-411001
Fax : +91-(0)831-411002
E-mail : polyhydron@vsnl.com
Website : www.polyhydron.com



LEVER OPERATED DIRECTIONAL CONTROL VALVE DLS10

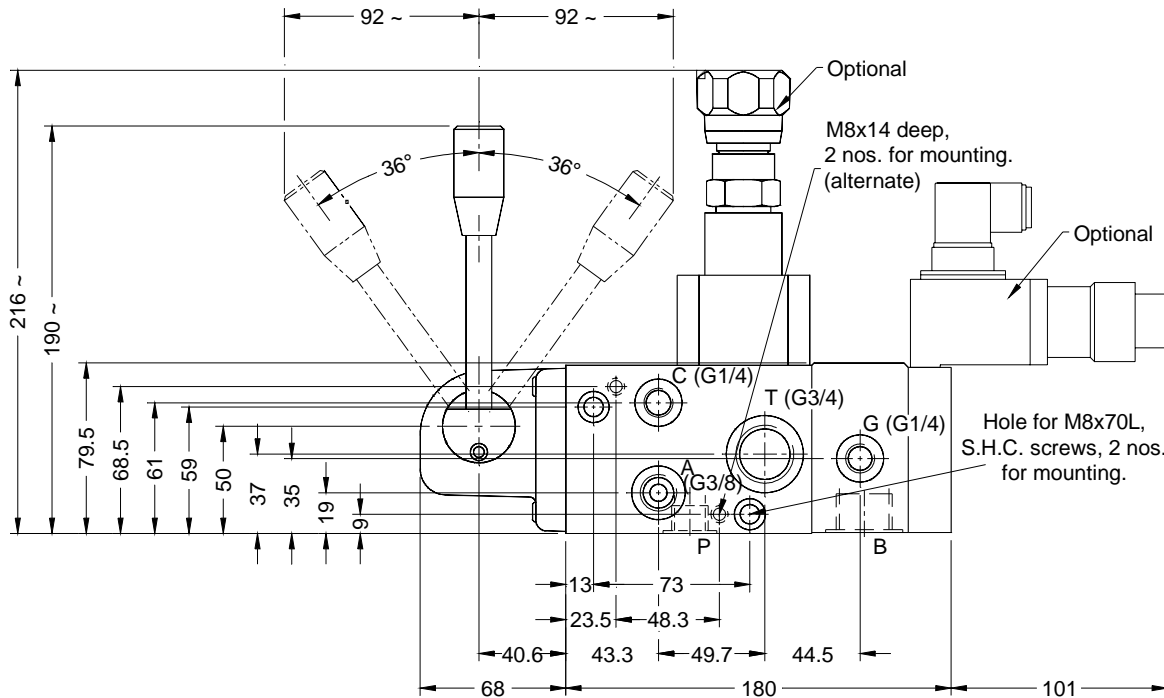
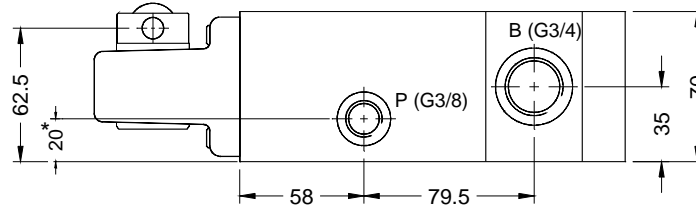
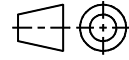
ENGINEERING

2

Ref. No. P09072

Unit dimension

Dimensions in mm.



Note :

Valve with 'Mirror Image' face option will have ports A, C, T and G on opposite face and dimension 20 (marked *) of port P will be 50.



LEVER OPERATED DIRECTIONAL CONTROL VALVE DLS10

ENGINEERING

3

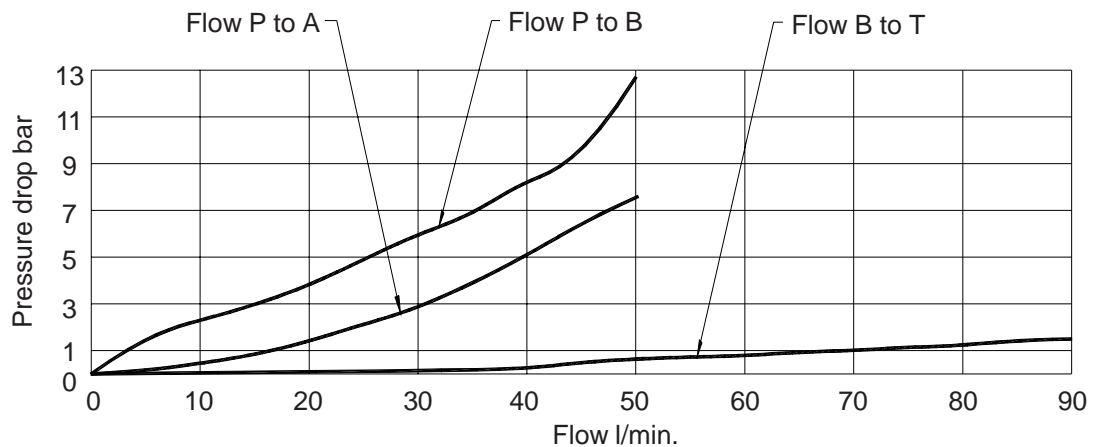
Ref. No. P09072

Technical specification

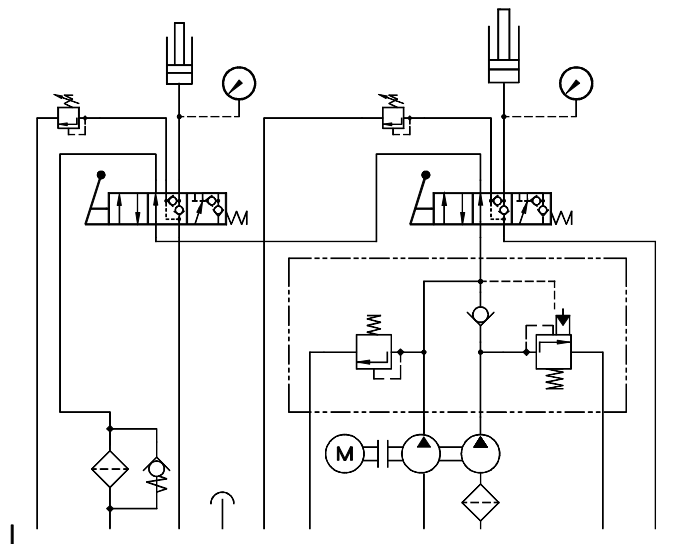
Construction Spool and poppet type.
Mounting type Threaded body.
Mounting position Optional, horizontal spool axis preferred.
Flow passage areas Refer hydraulic symbol.
Operating Pressure For ports P, A, B, C, G 350 bar
T 7 bar max.
Hydraulic medium Mineral oil.
Viscosity range 10 to 380 cSt.
Working temperature range -20 °C to +70 °C.
Fluid cleanliness requirement As per ISO code 16/13 or better.
Nominal flow handling capacity Refer flow V/s. pressure drop graph.
Mass 7.8 kg.

Performance Curves

Oil Used : ISO VG 68, Viscosity : 68 cSt @ 40 °C, Temp @ test : 50 °C.



Hydraulic circuit showing typical application of valves 4DLS10 **





**LEVER OPERATED
DIRECTIONAL CONTROL VALVE
DLS10**

ENGINEERING

4

Ref. No. P09072

Ordering code

4 DLS 10 D M BA 315 — 01

3 Service ports
4 Service ports

Directional control valve lever optd. with pr. holding facility at it's port B.

Size 10

Spool holding options

Spring centred	S
Detented	D

Face option for ports A, C, T, and G only.

For valve porting shown in unit dimension drawing.	Omit
Ports on opposite face (mirror image).	M

Design code subject to change. Installation dimensions remain same for design code 01 thru 09.

Optional for pressure regulator

200, 315, 400 bar.

Omit if not required



HYDRO PNEUMATIC ACCESSORIES
W: <http://hpa.net.in> E: inq@hpa.net.in

Optional for pressure switch
(350 bar max.on port B)

Optional for pressure switch
(4 bar min. on port T of pr.regulator)

BA	Standard connector		TA	Standard connector	
BB	230 VAC	With LED connector	TB	230 VAC	With LED connector
BC	24 VDC		TC	24 VDC	
Omit if not required					