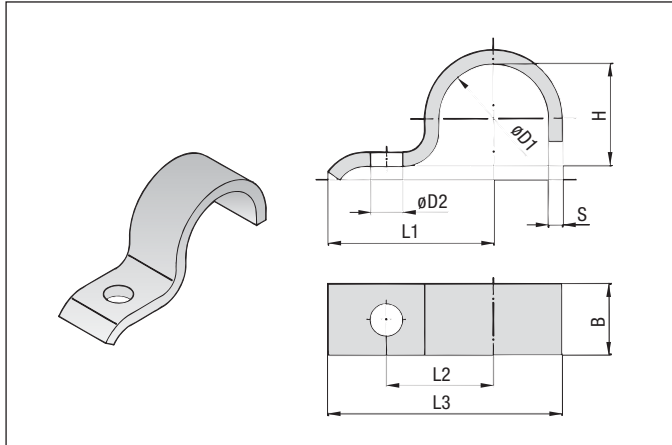


# HEAVY SADDLES

according to **DIN 1592**



STAUFF Group $\varnothing D1$	Diameter range	L1	L2	L3	H	D2	B	S
7	5,5 – 7	22	14	27,5	5	6,6	16	2
9	7 – 9	27	18	33,5	6		20	
13	9,5 – 13	40	25	49,5	9	11	25	3
15,5	13 – 15,5	41	26	52	12			
19	15,5 – 19	43	28	55,5	15			
23	20 – 23	51	35	67	19			
26	23 – 26	52	36	70	22	14	30	5
28,5	26 – 28,5	53	37	73	24			
31	28,5 – 31	55	39	75,5	27			
36	33 – 36	57	41	81	32	14	40	5
39	36 – 39	59	43	83,5	34			
43	39 – 43	68	48	94,5	38	18	40	5
46	43 – 46	70	50	98	41			
49	46 – 49	73	53	105,5	44	18	40	8
52*	49 – 52	76	56	110	47			
58	53 – 58	78	58	115	52			
61	58 – 61	80	60	118,5	57			

\* similar to DIN 1592

## ORDER CODE

**DIN 1592-\*\*\***

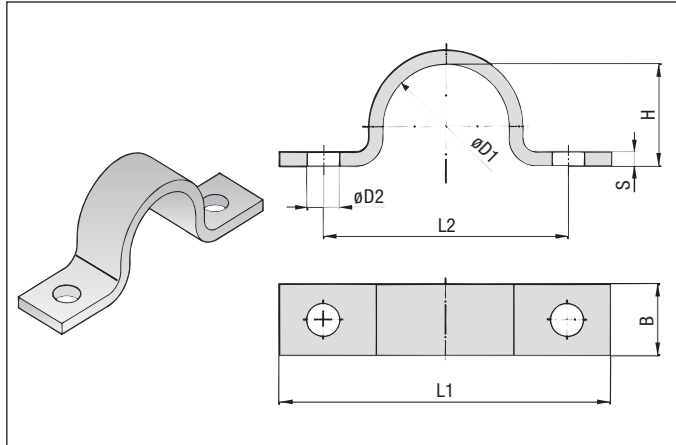


## MATERIAL AND SURFACE FINISHING

STAUFF Group 7 – 49 **W66** carbon steel St 37, zinc plated, thick film passivated  
 STAUFF Group 52 – 61 **W1** carbon steel St37, untreated (Surface finishing on request only)

Other materials, surface finishings and diameters on request.

according to **DIN 1593**



STAUFF Group $\varnothing D1$	Diameter range	L1	L2	H	D2	B	S
7	5,5 – 7	44	28	5	6,6	16	2
9	7 – 9	48	32	6	6,6	20	2
13	9,5 – 13	52	36	9			
15,5	13 – 15,5	56	40	12			
19	15,5 – 19	60	44	15			
23	20 – 23	82	56	19	11	25	3
26	23 – 26	84	58	22			
28,5	26 – 28,5	90	64	24			
31	28,5 – 31	90	64	27	11	30	5
36	33 – 36	106	80	32			
39	36 – 39	110	84	34	14	30	5
43	39 – 43	120	88	38			
46	43 – 46	122	90	41	14	40	5
49	46 – 49	122	90	44			
58	53 – 58	142	110	52	14	40	5
61	58 – 61	142	110	57			
71	67 – 71	152	120	66	18	40	8
77	73 – 77	176	136	72			
81	77 – 81	184	144	76			
91	86 – 91	198	158	85	18	40	8
103	99 – 103	214	174	98			
109	105 – 109	220	180	104			
115	110 – 115	226	186	109			

## ORDER CODE

**DIN 1593-\*\*\***



## MATERIAL AND SURFACE FINISHING

STAUFF Group 7 – 77 **W66** carbon steel St 37, zinc plated, thick film passivated  
 STAUFF Group 81 – 115 **W1** carbon steel St37, untreated (Surface finishing on request only)

Other materials, surface finishings and diameters on request.