

## AIR PREPARATION UNITS

### FILTER WITH INTERNAL AUTODRAIN - Series F1A

Cat No F1A - 01

#### AIR FILTER with Internal Autodrain - 3/8, 1/2 SIZES

##### Features

- ❑ Suitable for Modular mounting
- ❑ Bayonet type steel bowl guard,
- ❑ Internal Autodrain - Float type, no electrical connections required
  - Provided with manual drain
  - Provision for drain tube connection, to take the condensate away from the unit, to keep the working area clean.
- ❑ Bronze filtering element.
- ❑ Separator and shield for efficient moisture separation.



##### Technical Specifications

Model	F14.....A	F15.....A
Medium	Compressed air	
Port size	G3/8	G1/2
Flow rate lts / min @	2250	3500
Operating pressure	2 - 10 bar	
Ambient / Medium temperature	5° – 50° C	
Filteration #	5 µm, 25 µm , 40µm (Standard) , 50µm , 100 µm	
Bowl capacity ml (at maximum condensate level)	35	65
Bowl material	Polycarbonate	
Installation	Vertical (as in the picture)	
Materials of construction	Aluminium, Bronze, Steel, Acetal, Polycarbonate, SS, Nitrile	
Weight Kg	0.49	0.86
Optional accessories *	Clamp, Modular mounting kit	

@ Supply pressure 6 bar , Pressure drop  $\Delta p = 0.3$  bar

# For details see " How to order "

\* For details refer optional accessories Cat No. APA - 01

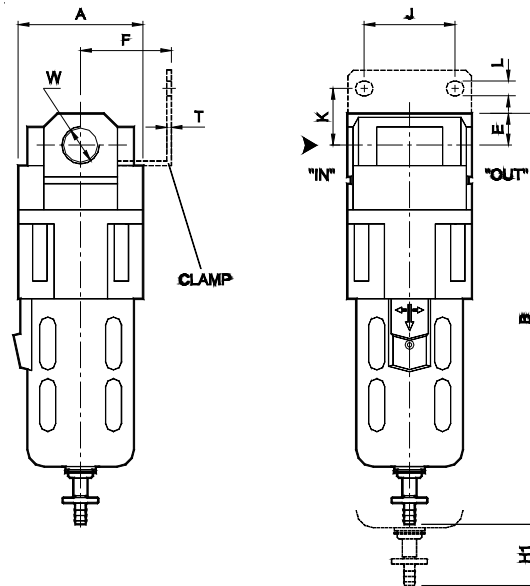
##### Precautions

1. Note the direction of flow before installation and connect piping accordingly.
2. Flush pipings for dirt, dust, rust and other foreign particles.
3. Install in clean atmosphere.
4. Nipples of taper threads ( R ) to be used with teflon tape. Ensure teflon tape does not enter the unit during tightening. Nipples of straight threads ( G ) to be used with sealing washer.
5. Polycarbonate bowls may get damaged and possibly fail if exposed to synthetic oils, thinner, solvents, trichloroethylene, kerosene or other aromatic hydrocarbons.

# AIR PREPARATION UNITS

## FILTER WITH INTERNAL AUTODRAIN - Series F1A

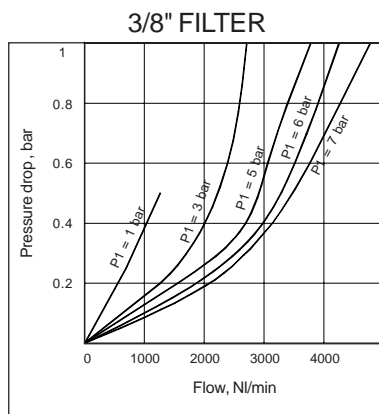
Cat No F1A - 01



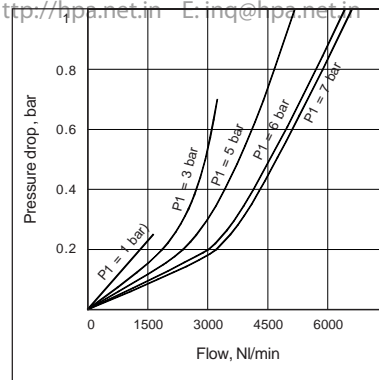
For Details of Clamp see optional accessories Cat No APA - 01

Model	W	A	B	E	K	F	J	L	T	H1
F14.....A	G 3/8	55	193	14	25	40	40	6.5	2	60
F15.....A	G 1/2	70	230	18	25	50	55	8.5	2	85

### Flow Graphs



**HYDRO PNEUMATIC ACCESSORIES**  
W: <http://hpa.net.in> E: [ind@hpa.net.in](mailto:ind@hpa.net.in)



### How to order

**F1**



**Body & Port size**

4 6 2 -- G 3/8

5 6 3 -- G 1/2



**Filteration  $\mu\text{m}$**

1 --- 5  $\mu\text{m}$

2 --- 25  $\mu\text{m}$

3 --- 40  $\mu\text{m}$  (Standard)

4 --- 50  $\mu\text{m}$

5 --- 100  $\mu\text{m}$

**— A**

**Internal Autodrain**

**Ordering Example** :- Filter - 3/8 size (with G 3/8 port) with a 50  $\mu\text{m}$  Filter with Internal Autodrain: Ordering No: F14624 - A  
If ordered as 3/8 Filter with Internal Autodrain, our standard model F14623 - A, with a 40  $\mu\text{m}$  Filter with Internal Autodrain will be supplied .