

SHUT OFF VALVE

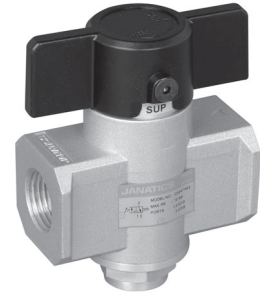
Series GS2

Cat No GS2 - 01 - 01

SHUT OFF VALVE - G1/4, G3/8, G1/2

Features

- ❑ Connecting thread at both ends
- ❑ Connection - G1/4, G3/8, G1/2
- ❑ Modular mounting with FRL



Function

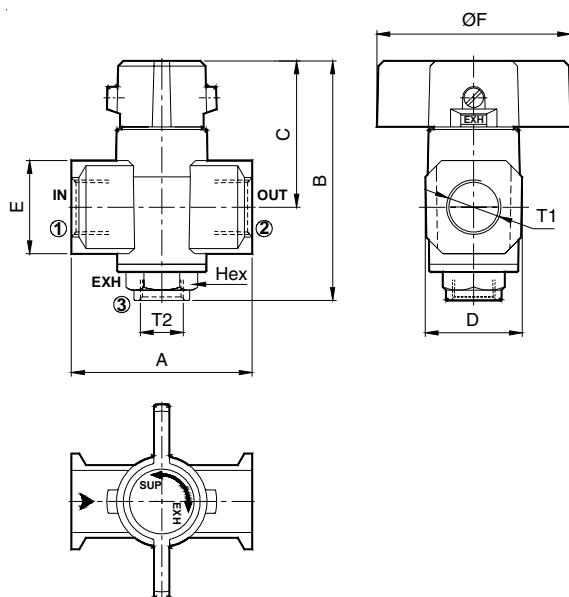
- a. Opening and closing of airline with relieving of the down stream pressure.
- b. A window display to show the valve position when the valve is On condition (or) Exhaust condition.

Technical Specifications

Model		G1/4	G3/8	G1/2
Type		3/2		
Operating pressure range		0 - 10 bar		
Ambient Temperature		5° - 60° C		
Flow [®] (lpm)	1 → 2	1000	2200	3250
	2 → 3	450	1100	1600
Materials of construction		Aluminium, Brass, Nitrile		

① Inlet pressure 6 bar, and pressure drop 1 bar

W: <http://hpa.net.in> E: inquiry@hpa.net.in



Sl. No	Ordering No.	T1	T2	Hex	A	B	C	D	E	ØF
1	GS245H61	G1/4	G1/8	17	45	73	43	28.5	22	40
2	GS245H62	G3/8	G1/4	19	55	85	52	32.5	28	55
3	GS245H63	G1/2	G3/8	24	70	94	56.5	37.5	36	75

How to Order

While ordering Shut off valve, mention the ordering number given in the corresponding tables.

Subject to change