



LEVER OPERATED DIRECTIONAL CONTROL VALVE DL10

ENGINEERING

1

Ref. No. P04909

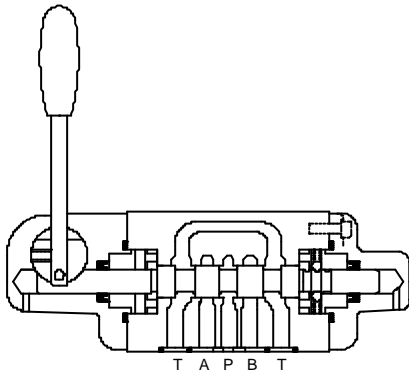
Release 12/2007

Description

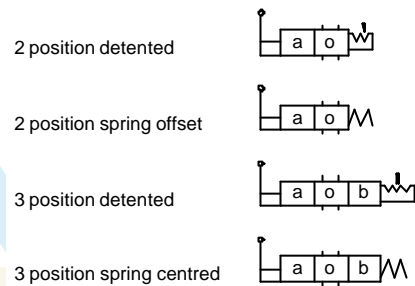
Completely encapsulated mechanism for protection against dirt. Five chamber design for better reduction in dynamic forces and longer valve life. Mounting styles -- Subplate body. Available as spring centred, spring off-set or detented model. Operating head can be rotated by 90° x 4 around spool axis for flexibility in mounting. Valve mounting interface conforms to International and National Standards. Port configuration conforms to Factory Standards.



Section



Hydraulic Symbol

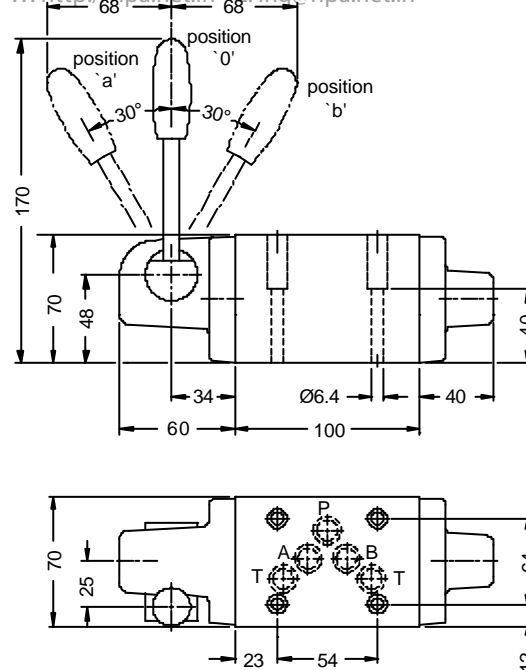


Unit dimension

Subplate mounting body

HYDRO PNEUMATIC ACCESSORIES
W: <http://hpa.net.in> E: ing@hpa.net.in

Dimensions in mm.



O'Ring size at port P, A, B & T : 12 i.d. x 2 c.s.d.

Polyhydron Pvt. Ltd.

78-80, Machhe Industrial Estate,
Machhe, Belgaum - 590 014. INDIA.

Phone : +91-(0)831-2411001
Fax : +91-(0)831-2411002
E-mail : polyhydron@vsnl.com
Website : www.polyhydron.com

P04909



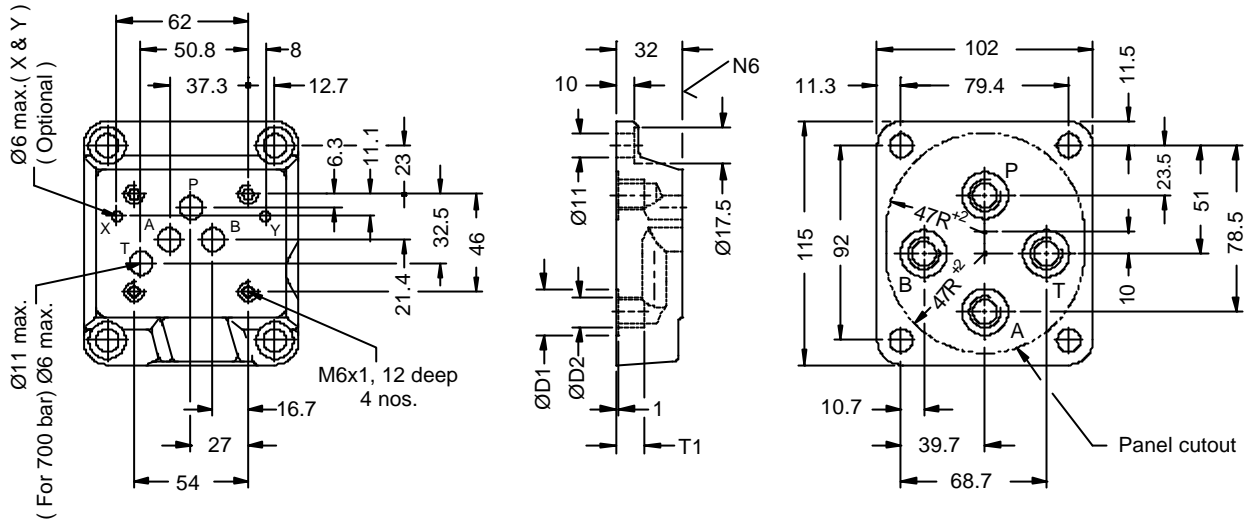
**LEVER OPERATED
DIRECTIONAL CONTROL VALVE
DL10**

ENGINEERING

2

Ref. No. P04909

Subplate



Subplate type	ØD1	ØD2	T1	Approx. mass	Valve fixing screws	Tightening torque
G101	22	G1/4	13			
G102	25	G3/8	13	1.1 kg.	M6 x 50 L, 4 nos.	15 Nm
G103	30	G1/2	15			

Technical specification

HYDRO PNEUMATIC ACCESSORIES

W: <http://hpa.net.in> E: inq@hpa.net.in

- ConstructionSpool type.
- MountingSubplate body.
Interface as per ISO 4401 - AC - 05 - 4 - A and IS 10187 - 10 mm diameter nominal port.
- Mounting positionOptional.
- Flow directionAs per spool type.
- Operating pressureFor port P, A and B 350 bar. (Standard valve)
For port P, A and B 700 bar max. (High pressure)
For port T 100 bar. (Both type)
- Hydraulic mediumMineral oil.
- Viscosity range10. cSt to 380 cSt.
- Fluid temperature range-20 °C to +70 °C.
- Fluid cleanliness requirementAs per ISO 16/13 or better.
- Maximum flow handling capacityRefer performance curves. (Standard valve)
Multiply the curve values by 10 (High pressure valve)
- Mass5.6.kg APPROX (Subplate body).



**LEVER OPERATED
DIRECTIONAL CONTROL VALVE
DL10**

ENGINEERING

3

Ref. No. P04909

Performance Curve

Oil used : ISO VG 68, Viscosity : 68 cSt @ 40 °C, Temp. @ test : 50 °C.

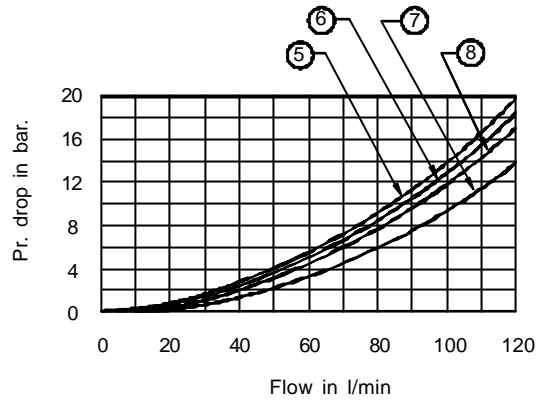
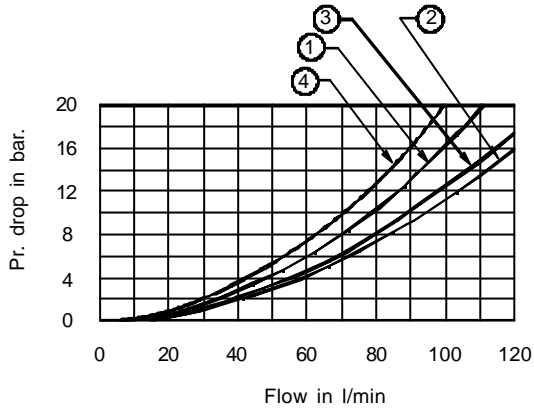


Table showing the relation between the spool type, direction of flow and curve in the above graph to be referred to.

Spool type	Direction of flow / Curve no.				
	P to T	P to A	P to B	A to T	B to T
A	--	1	1	--	--
C	--	1	1	2	3
E	--	1	1	2	3
F	4	1	1	7	3
G	4	1	1	2	3
H	5	6	6	7	8
J	--	1	1	7	8
L	--	1	1	7	3
M	--	6	6	2	3
P	4	1	1	2	8
Q	--	1	1	2	3
W	--	1	1	2	3



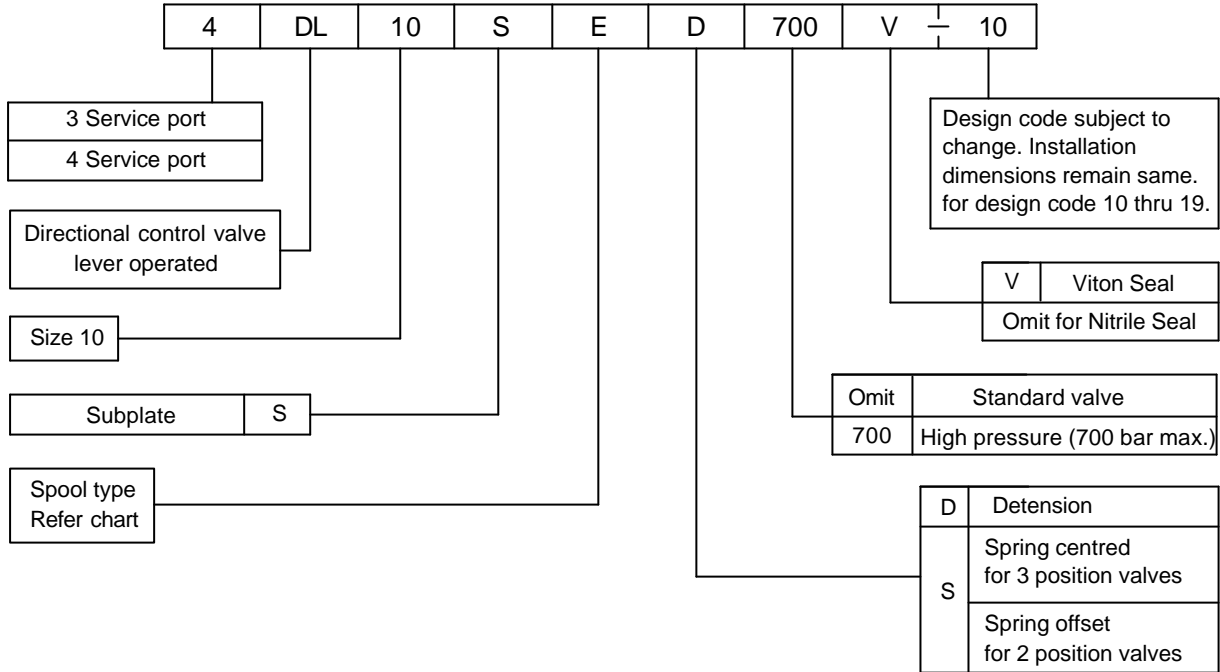
LEVER OPERATED
DIRECTIONAL CONTROL VALVE
DL10

ENGINEERING

4

Ref. No. P04909

Ordering code



HYDRO PNEUMATIC ACCESSORIES

W: <http://hpa.net.in> E: inq@hpa.net.in

Spool chart.

Type	Symbol	Crossover	Type	Symbol	Crossover
	a 0 b A B P T			a 0 b A B P T	
A			Q		
C			U		
D			V		
E			S1		
F			S2		
G			S3		
H			S4		
J			S5		
L			S6		
M					
P					

All rights reserved.
Subject to revision.

Note : Subplate to be ordered separately.