



DIRECT ACTING PRESSURE SEQUENCE VALVE DPS06

ENGINEERING

1

Ref. No. P04505

Release 09/2000

Description

Direct acting spool type pressure sequence valve.

Models available : Internal pilot, internal drain

External pilot, internal drain

Internal pilot, external drain

External pilot, external drain

Port A normally connected to

port T : control at port P

Port A normally connected to

port T : control at port B

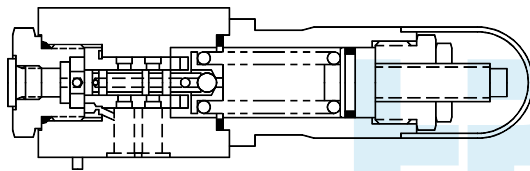
Four pressure ratings 25, 50, 100, or 200 bar.

For reverse free flow, optional check valve can be supplied as a stackable module.

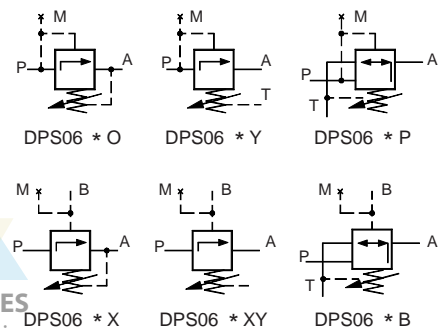
Pressure adjustment by screw or hand knob.



Section



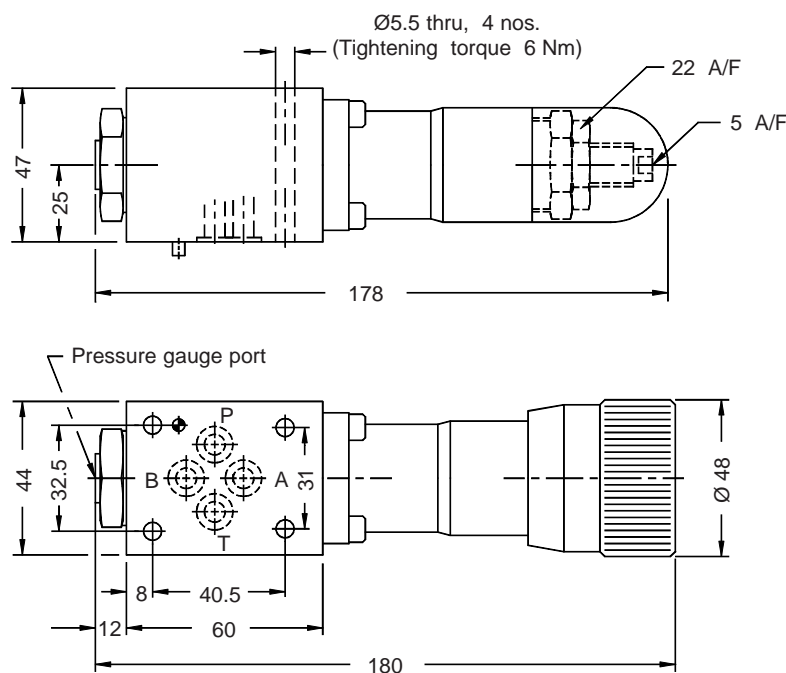
Hydraulic Symbol



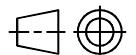
HYDRO PNEUMATIC ACCESSORIES
W: <http://hpa.net.in> E: inq@hpa.net.in

Unit Dimensions

Valve



Dimensions in mm.



Polyhydron Pvt. Ltd.

78-80, Machhe Industrial Estate,
Machhe, Belgaum-590 014. INDIA.

Phone : +91-(0)831-411001

Fax : +91-(0)831-411002

E-mail : polyhydron@vsnl.com

Website : www.polyhydron.com

P04505



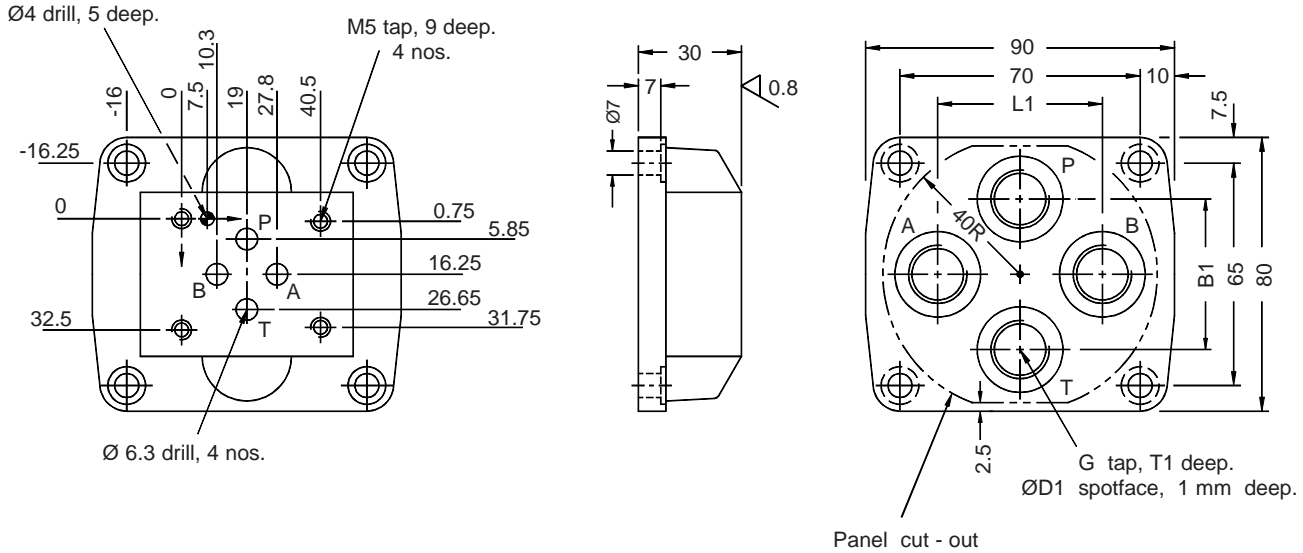
DIRECT ACTING PRESSURE SEQUENCE VALVE DPS06

ENGINEERING

2

Ref. No. P04505

Subplate



Subplate	B1	Ø D1	G	L1	T1
1SD03G02	34	22	G1/4	36	12
1SD03G03	44	25	G3/8	48	12

HYDRO PNEUMATIC ACCESSORIES
W: <http://hpa.net.in> E: inq@hpa.net.in

Technical Specifications

Construction	Direct acting, spool type.
Mounting	Subplate mounting as per ISO 6403.
Mounting position	Optional.
Flow direction	From port P to A.
Operating pressure	For port P, A and B 315 bar. For port T 60 bar max.
Hydraulic medium	Mineral oil.
Viscosity range	10 cSt to 380 cSt.
Fluid temperature range	-20 °C to +70 °C.
Fluid cleanliness requirement	As per ISO 16/13.
Maximum flow handling capacity	Refer performance curves.
Mass	1.54 kg.



**DIRECT ACTING
PRESSURE SEQUENCE VALVE
DPS06**

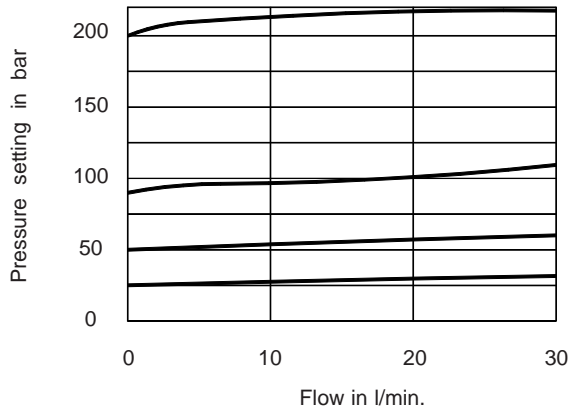
ENGINEERING

3

Ref. No. P04505

Performance Curve

Oil used : ISO VG 68, Viscosity : 68 cSt @ 40 °C, Temp. @ test : 52 - 55 °C.



Ordering Code

DPS S ,06 S X 50 — ,02

Direct acting pressure sequence valve

Hand knob	H
Set screw	S

Size 06
(ISO size 03)

Subplate mounting S

Adjustable pressure upto
25, 50, 100 or 200 bar

Design code subject to change. Installation dimensions remain same for design code 01 thru. 09

Pilot pressure and leakage conditions	
O	-- Internal pilot, internal drain
X	-- External pilot, internal drain
Y	-- Internal pilot, external drain
XY	-- External pilot, external drain
P	-- Port A normally connected to drain. Control at port P
B	-- Port A normally connected to drain. Control at port B

Note : Subplate to be ordered separately.



DIRECT ACTING
PRESSURE SEQUENCE VALVE
DPS06

ENGINEERING

4

Ref. No. P04505



All rights reserved.
Subject to revision.