

SOLENOID CONNECTORS

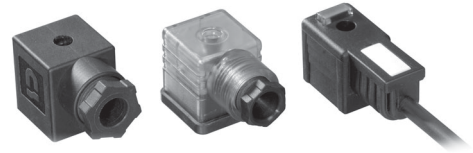
Series K

Cat No K - 01 - 01

SOLENOID CONNECTORS - KA, KB, KC

Features

- ❑ Confirms to DIN 43650 standards
- ❑ Central screw ensures vibration proof interlocking
- ❑ Suitable for solenoid valves
- ❑ Models available with transparent housing and indicator lamps
- ❑ Connector versions with circuit to protect the source and load



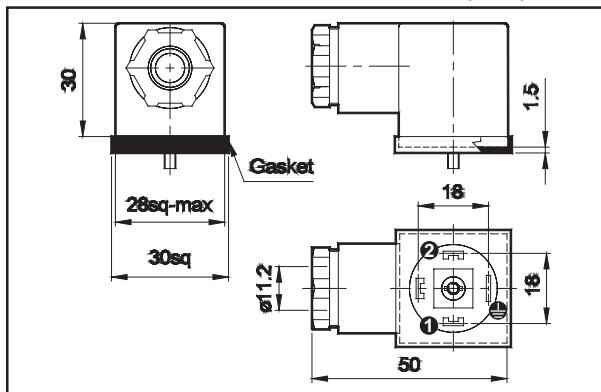
Technical Specifications

Model	KA	KB	KC
Contact spacing	18 mm	11 mm	9.4 mm
Suitable for coil width	32mm	22mm	17mm
No. of contacts	2 + Earth		
Contact surface	Silver plated		
Max. contact current	10 A	10 A	6 A
Max. contact screw torque	0.5 Nm		
Cable entry	PG9 (cable OD 6 - 8 mm)		(Cable OD 3.5 - 5 mm)
Conductor cross section	0.5 to 1.5 mm ²		
Rated voltage	230V AC / 300V DC		
Housing material	Glass reinforced Polyamide		
Housing colour	Black, Transparent		
LED colour	Red		
Gasket	Synthetic rubber		
Type of coil protection	IP65 (when plugged & screwed with gasket)		

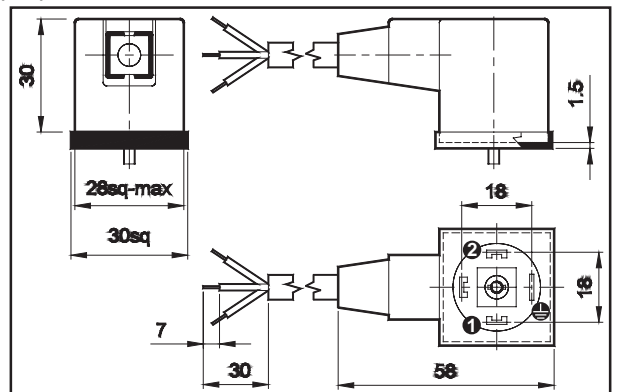
HYDRO PNEUMATIC ACCESSORIES

W: <http://hpa.net.in> E: inquiry@hpa.net.in

KA

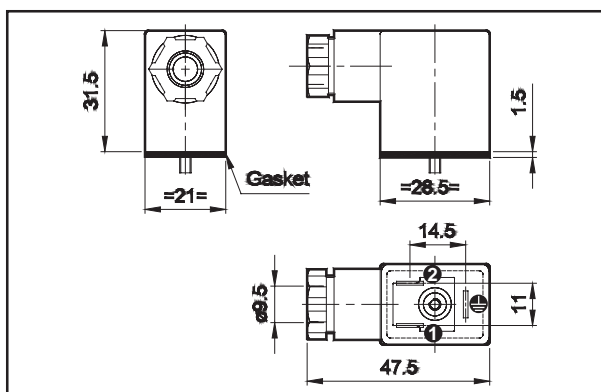


Connector with PG cable entry

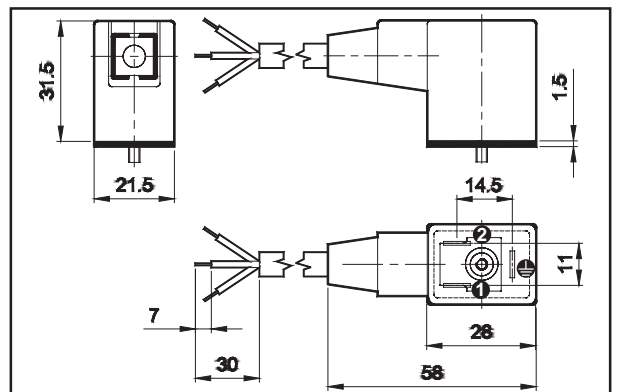


Connector with Moulded cable

KB



Connector with PG cable entry



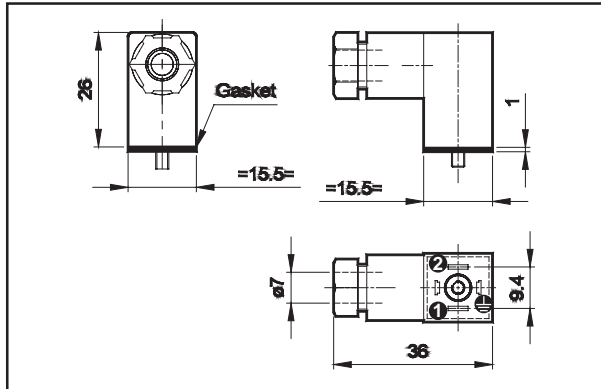
Connector with Moulded cable

SOLENOID CONNECTORS

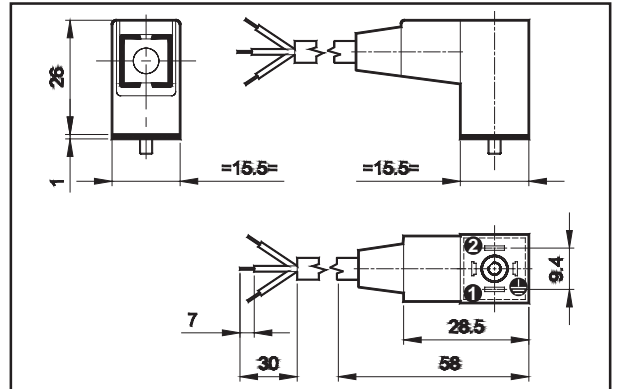
Series K

Cat No K - 01 - 01

KC



Connector with PG cable entry



Connector with Moulded cable

How to order

Connectors without LED

K

Suitable for Coil width	
A	32 mm
B	22 mm
C	17 mm

Connection type	
0	PG9 Cable entry
1	Moulded cable (with 2metre length)

Note : Connectors without LED is suitable for all voltages, both AC / DC

HYDRO PNEUMATIC ACCESSORIES
W: <http://hpa.net.in> E: inq@hpa.net.in

Connectors with LED

K

Suitable for Coil width	
A	32 mm
B	22 mm
C	17 mm

Voltage	
0	24V AC/DC
1	220V AC

Housing Colour & Indication	
T0	<p>Transparent housing with Bipolar LED indicator confirming supply voltage</p>
T1	<p>Transparent housing with Bipolar LED indicator confirming supply voltage plus varistor to give over voltage protection to the source and load</p>

R

LED colour	
R	Red

Connection type	
0	PG9 Cable entry
1	Moulded cable (with 2metre length)

Ordering Example

- Ordering no for connectors with LED for 22mm coil, 24V DC, Tansparent colour housing with Bipolar LED and varistor with moulded cable: **KB0T1R1**
- Ordering no for connectors without LED for 32mm coil with moulded cable : **KA1**

Subject to change