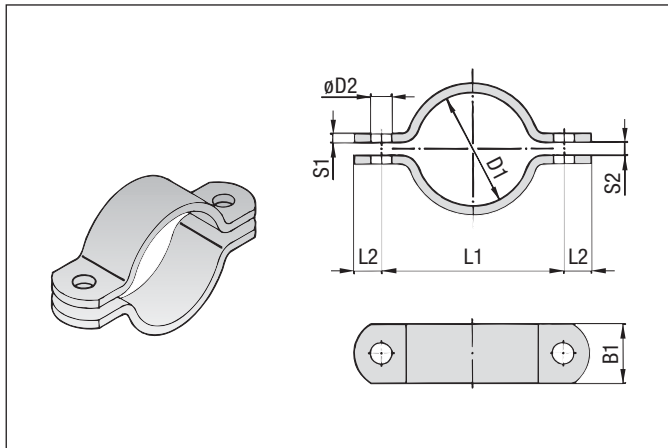


METAL PIPE CLAMPS

according to **DIN 3567, Type A**



STAUFF Group D1	Nominal Size		L1	L2	S1	S2	D2	B1	Accessories Hexagon Head Bolts Hexagon Nuts						
	mm	Pipe inch													
20	15		57	15	5	7	11,5	30	M10 x 30 M10						
22			59												
25	20		62												
27		3/4	66												
30	25		68												
34		1	72												
38	32		76												
43		1 1/4	82												
45	40		84												
49		1 1/2	88												
57	50		104	18	6	9	14	40	M12 x 35 M12						
61		2	108												
77	65	2 1/2	122												
89	80	3	136												
108	100		172							24	8	11	18	50	M16 x 45 M16
115		4	178												
133	125		196												
140			204												
159	150		222												
169			232												
194	175		258												
216	200		280												
220			284												
267	250		342	30	8	14	23	60	M20 x 50 M20						
273			348												
318	300		392												
324			398												
368	350		444												
407	400		498							36	10	18	27	70	M24 x 60 M24
419			510												
521	500		614												

ORDER CODE

DIN 3567 A-***

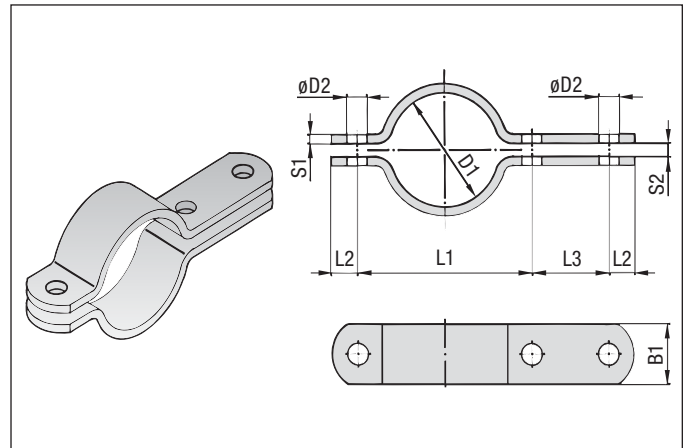
→ STAUFF Group D1

MATERIAL AND SURFACE FINISHING

STAUFF Group 20–521 **W1** carbon steel St37, untreated
1 clamp is consisting of 2 clamp halves

Other materials, surface finishings and diameters on request.
Bolts and nuts do not belong to the delivery standard.

according to **DIN 3567, Type B**



STAUFF Group D1	Nominal Size		L1	L2	L3	S1	S2	D2	B1	Accessories Hexagon Head Bolts Hexagon Nuts							
	mm	Pipe inch															
20	15		57	15	46	5	7	11,5	30	M10 x 30 M10							
22			59														
25	20		62														
27		3/4	66														
30	25		68														
34		1	72														
38	32		76														
43		1 1/4	82														
45	40		84														
49		1 1/2	88														
57	50		104	18	54	6	9	14	40	M12 x 35 M12							
61		2	108														
77	65	2 1/2	122														
89	80	3	136														
108	100		172								24	70	8	11	18	50	M16 x 45 M16
115		4	178														
133	125		196														
140			204														
159	150		222														
169			232														
194	175		258														
216	200		280														
220			284														
267	250		342	30	86	8	14	23	60	M20 x 50 M20							
273			348														
318	300		392														
324			398														
368	350		444														
407	400		498								36	104	10	18	27	70	M24 x 60 M24
419			510														
521	500		614														

ORDER CODE

DIN 3567 B-***

→ STAUFF Group D1

MATERIAL AND SURFACE FINISHING

STAUFF Group 20–521 **W1** carbon steel St37, untreated
1 clamp is consisting of 2 clamp halves

Other materials, surface finishings and diameters on request.
Bolts and nuts do not belong to the delivery standard.