

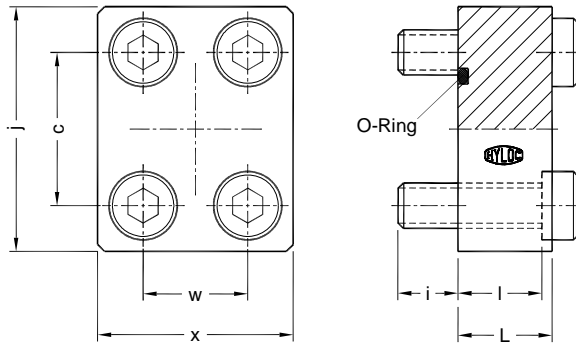
Blind Flanges

OSB / OHB

Dimensions in mm

Mounting Interface conforms to ISO 6162

Seal Material : NBR 90 Shore



Part No.	Pr. (bar)	Nom size	x	j	c	w	l	i	L	O - Ring ID x CSD	S.H.C Screws (10.9)
Standard pressure series (Code 61)											
OSB-04	350	1/2"	33	54	38.1	17.5	13	12	13	19.0 x 3.55	M8 x 25
OSB-06	350	3/4"	41	65	47.6	22.3	15	15	15	25.0 x 3.55	M10 x 30
OSB-08	350	1"	48	70	52.4	26.2	15	15	17	32.5 x 3.55	M10 x 30
OSB-10	250	1,1/4"	54	79	58.7	30.2	15	15	17	37.5 x 3.55	M10 x 30
OSB-12	200	1,1/2"	64	94	69.9	35.7	17	18	22	47.5 x 3.55	M12 x 35
OSB-16	200	2"	76	102	77.8	42.9	17	18	25	56.0 x 3.55	M12 x 35
OSB-20	160	2,1/2"	89	114	88.9	50.8	22	18	27	69.0 x 3.55	M12 x 40
OSB-24	100	3"	106	135	106.4	61.9	26	24	30	85.0 x 3.55	M16 x 50
OSB-28	25	3,1/2"	119	152	120.7	69.9	26	24	26	97.5 x 3.55	M16 x 50
OSB-32	25	4"	132	162	130.2	77.8	26	24	26	112.0 x 3.55	M16 x 50
OSB-40	25	5"	151	184	152.4	92.1	26	24	32	136.0 x 3.55	M16 x 50
High pressure series (Code 62)											
OHB-04	400	1/2"	38	56	40.5	18.2	18	12	18	19.0 x 3.55	M8 x 30
OHB-06	400	3/4"	48	71	50.8	23.8	20	15	20	25.0 x 3.55	M10 x 35
OHB-08	400	1"	54	81	57.2	27.8	22	18	22	32.5 x 3.55	M12 x 40
OHB-10	400	1,1/4"	60	95	66.6	31.8	22	18	22	37.5 x 3.55	M12 x 40
OHB-12	400	1,1/2"	70	113	79.3	36.5	21	24	30	47.5 x 3.55	M16 x 45
OHB-16	400	2"	86	133	96.8	44.5	30	30	36	56.0 x 3.55	M20 x 60
OHB-20	400	2,1/2"	116	175	123.8	58.7	32	33	50	69.0 x 3.55	M22 x 65
OHB-24	400	3"	132	216	152.4	71.4	35	45	63	85.0 x 3.55	M30 x 80