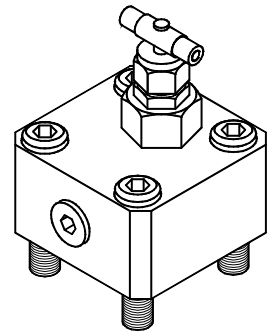


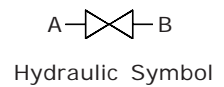
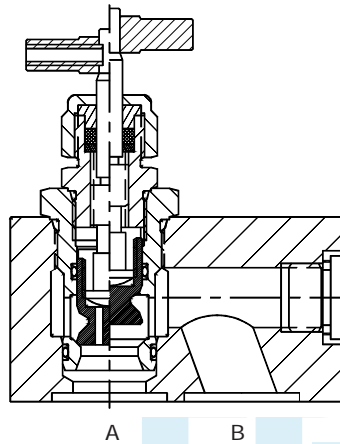
**Description**

Shut off valves model MHSLB25-2.0 are seat type valves with replaceable cartridge. Balanced sealed poppet construction to reduce operating forces.

Sub - plate mounting construction (Factory standard Interface.)

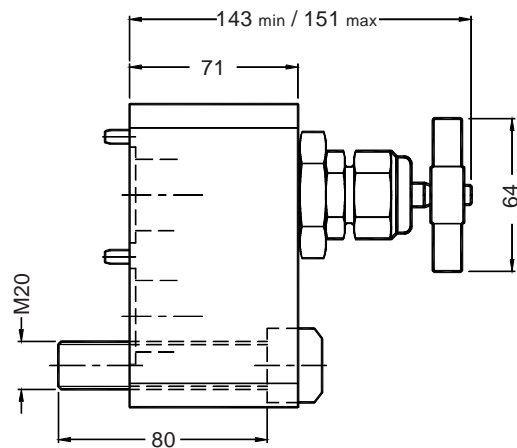
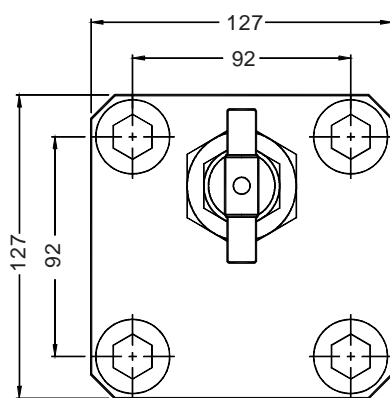
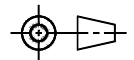


**Section**



**HYDRO PNEUMATIC ACCESSORIES**  
W: <http://hpa.net.in> E: [inq@hpa.net.in](mailto:inq@hpa.net.in)

**Unit Dimensions**



Note : Valve fixing screws : M20 x 2.5 x 80 L, ( 10.9 ) 4 nos.  
Tightening torque : 312 Nm

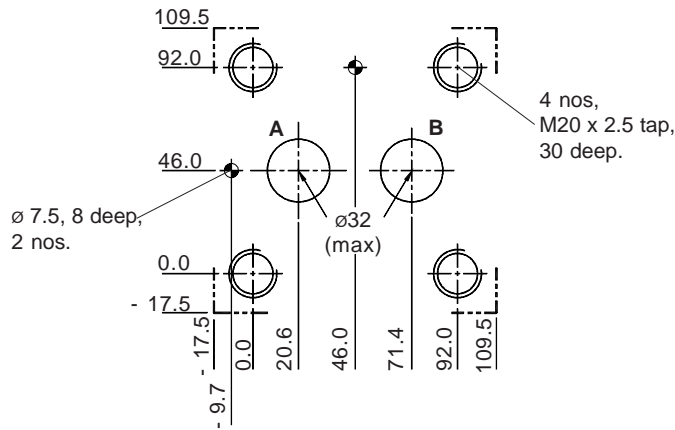
# Shut off Valve (Screw-in Cartridge), Sub-plate mounting, Model : MHSLB25-2.0



the right connection

Ref. No : H03656, Release Oct 2006 (Dimensions in mm)

## Interface - Factory standard



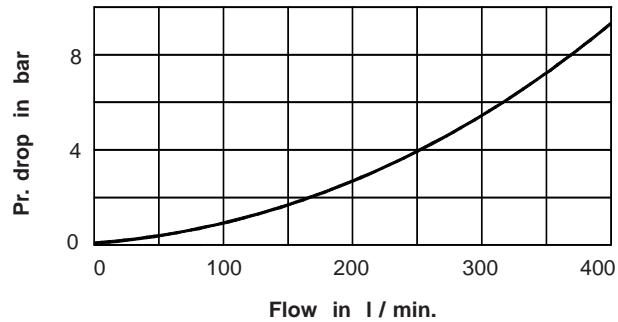
Mounting surface roughness - 0.8  $\mu\text{m}$   
 Mounting surface flatness - 0.01 $\mu\text{m}$  / 100mm

## Technical Specifications

- Construction . . . . . Seat type screw in cartridge
- Mounting type . . . . . Sub-plate mounting type.
- Interface . . . . . Factory standard.
- Mounting position . . . . . Optional
- Flow direction . . . . . From port `A' to port `B'.
- Operating pressure . . . . . 350 bar.
- Hydraulic medium . . . . . Mineral oil.
- Viscosity range . . . . . 10 cSt to 380 cSt.
- Fluid temperature range . . . . . -20 °C to +80 °C.
- Fluid cleanliness requirement . . . . . As per ISO 19/16 or better.
- Maximum flow handling capacity . . . . . Refer graph.

**HYDRO PNEUMATIC ACCESSORIES**  
 W: <http://hpa.net.in> E: [inq@hpa.net.in](mailto:inq@hpa.net.in)

Oil used : ISO VG 68,  
 Viscosity : 68 cSt @ 40 °C  
 Test conducted at : 50 °C.



## Ordering Code

