



PRESSURE CONTROL MODULE PCM 06-06

ENGINEERING

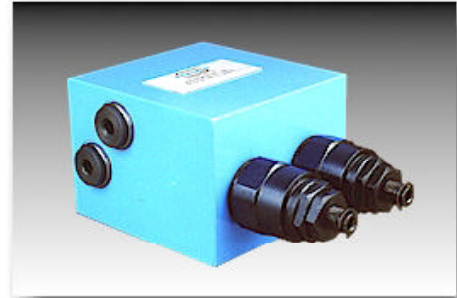
1

Ref. No. P03645

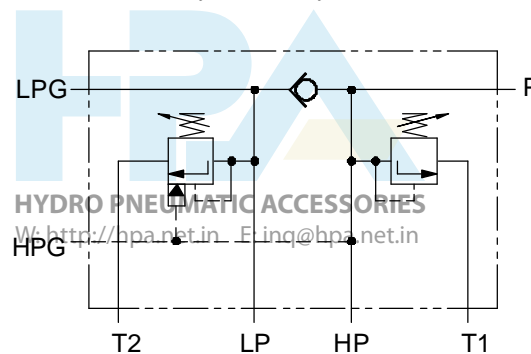
Release 04/2008

Description

Designed to control double pumps of a Hi-Low system. Unloads low pressure pump when system pressure rises above the pressure set on unloader valve. Relieves high pressure pump when system pressure reaches the value.



Hydraulic Symbol



Connection details.

- P Out let connection.
- LPG Gauge connection on low pressure pump line.
- HPG Gauge connection on high pressure pump line.
- T Tank connection.
- HP High pressure pump connection.
- LP Low pressure pump connection.

Polyhydron Pvt. Ltd.
78-80, Machhe Industrial Estate,
Machhe, Belgaum - 590 014. INDIA.

Phone : +91-(0)831-2411001
Fax : +91-(0)831-2411002
E-mail : polyhydron@gmail.com
Website : www.polyhydron.com



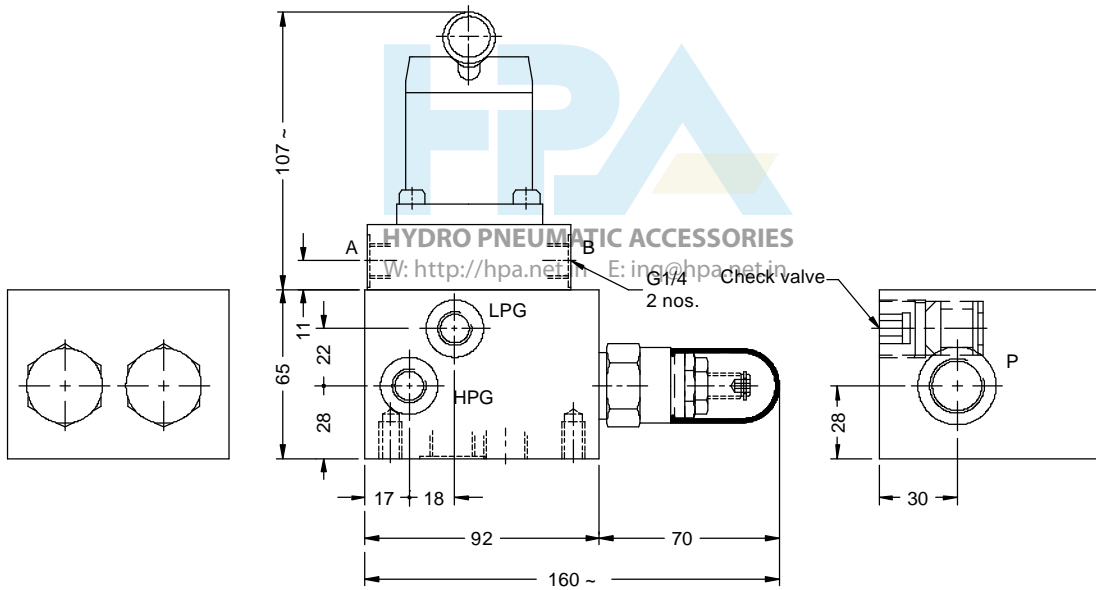
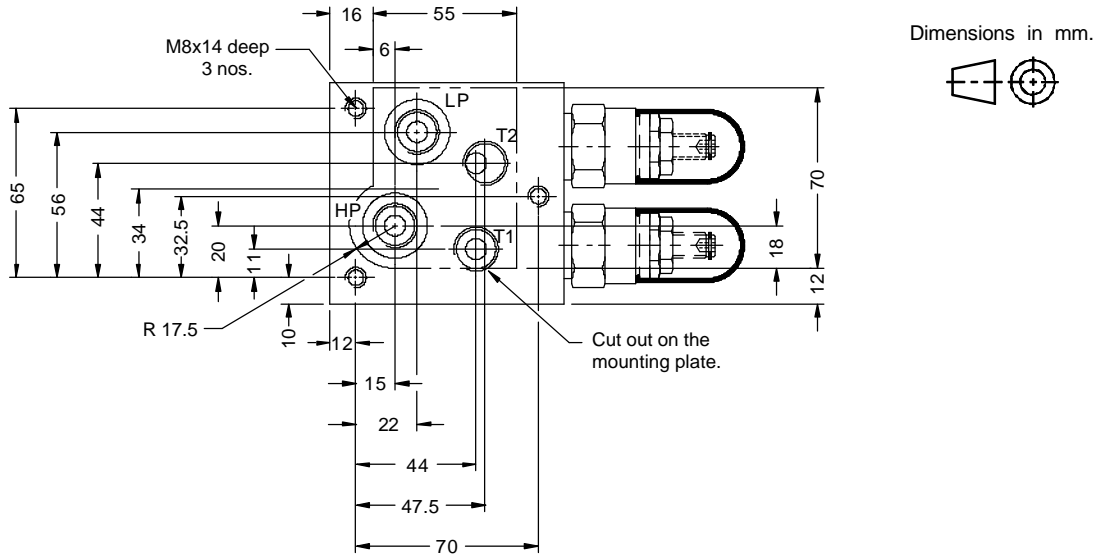
**PRESSURE CONTROL MODULE
PCM 06-06**

ENGINEERING

2

Ref. No. P03645

Unit dimension



Port details.	
HP	- G3/8
LP	- G3/8
P	- G1/2
HPG	- G1/4
LPG	- G1/4
T1	- G3/8
T2	- G3/8

