

AUTO DRAIN VALVE

Series NA1

Cat No APA - 01

AUTO DRAIN VALVE suitable for Filter Series F13, F14, F15 and Filter Regulator combination series FRC13, FRC14 and FRC15

Features

- ❑ Individual unit (Externally mountable)
- ❑ Low operating pressure
- ❑ Compact size
- ❑ Elegant design and finish
- ❑ Long life

Function

These Auto drain units are externally mountable on G1/4, 3/8 and 1/2 size Filters and FRC units.

As the condensed water collects in the drain unit, the float moves up and drains the water.

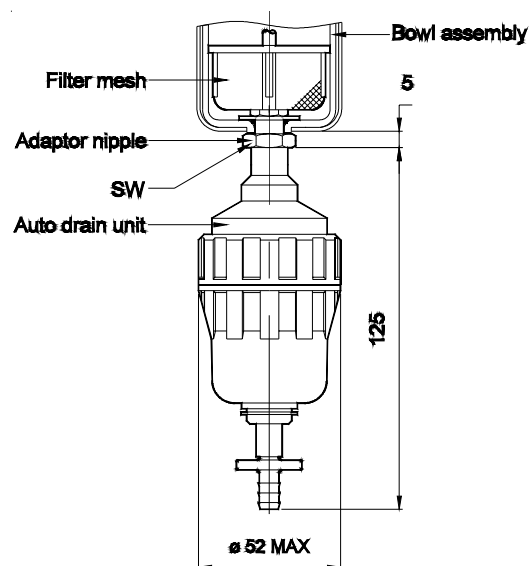
The condensate water can also be drained manually.

A plastic tube can be fitted at the bottom of the auto drain unit to take the drained water away from the unit.



Technical Specifications

| | | | |
|---------------------------|--|-------|-------|
| Ordering No. | A2D01 | A2D02 | A2D03 |
| Size | 1 / 4 | 3 / 8 | 1 / 2 |
| Medium | Compressed air | | |
| Operating pressure (bar) | 2 – 10 bar | | |
| Ambient Temperature | 0 to 60°C | | |
| Installation | Vertical (as in the picture) | | |
| Materials of construction | Aluminium, Brass, Acetal, Stainless steel, Nitrile | | |



| Size | SW | Ordering no. |
|------|----|--------------|
| G1/4 | 19 | A2D01 |
| G3/8 | 19 | A2D02 |
| G1/2 | 22 | A2D03 |



Note

When ordered as A2D01, auto drain unit with a adaptor kit and a filter mesh for G1/4 Filter or FRC will be supplied.

Subject to change