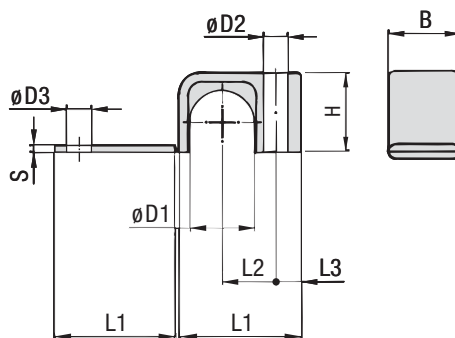
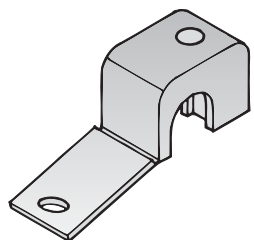


Applications: Pneumatics, Instrumentation and Automotive Technology, Machine Tool Industry, Lubrication, Mechanical Engineering

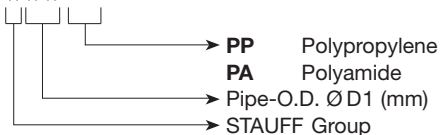
Type LB



STAUFF Group	Outside diameter Tube or Hose Ø D1 mm	Outside diameter Tube or Hose Ø D1 inch	Nominal bore Pipe inch	L1	L2	L3	B	H	S	øD2	øD3	Clamp Material XX	Colour
1	03,2	1/8		22	9	6,5	12	10,5	2	6,8	7	PP PA	black yellow
	06												
	06,4	1/4											
	08												
2	09,5	3/8		27	11	7	16	15	2	6,8	7	PP PA	black yellow
	10		1/8										
	11,1												
	12												
3	12,7	1/2		34	15	7	20	22,5	2	6,8	7	PP PA	black yellow
	13,5		1/4										
	14												
	15												
	16		5/8										
	17,2		3/8										
18													
4	19	3/4		42	19	7	20	30	2	6,8	7	PP PA	black yellow
	20												
	21,3		1/2										
	22												
	25												
	25,4	1											

ORDER CODE

LB * xx**



Other thermoplastics and diameters on request.