

AIR PREPARATION UNITS

LUBRICATOR Series L1

Cat No L1-02

LUBRICATOR 1/4 3/8 1/2

Features

- ❑ Conforms to ISO 6301 - 1
- ❑ Suitable for Modular mounting
- ❑ Fog / Mist type
- ❑ Fine adjustment of lubrication
- ❑ Steel bowl guard, bayonet type on L14 & L15 models and threaded type on L13 mode
- ❑ Lubrication proportional to flow



Technical Specifications

Model	L13	L14	L15
Medium	Compressed air - Filtered		
Port size	G 1 / 4	G 3 / 8	G 1 / 2
Flow rate lts / min @	1350	3000	5650
Max Supply pressure	10 bar		
Ambient / Medium temperature	5 ° – 60 ° C		
Min operating flow lts / min	12	40	45
Bowl capacity (at maximum condensate level)	20 ml	57 ml	152 ml
Recommended oil	ISO VG 32 (Servo System 32)		
Bowl material	Polycarbonate		
Installation	Vertical (as in the picture)		
Materials of construction	Aluminium, Bronze, Steel, Acetal, Polycarbonate, SS, Nitrile		
Weight	0.185 Kg	0.30 Kg	0.56 Kg
Optional accessories *	Clamp, Modular mounting kit		

@ Supply pressure 6 bar , pressure drop $\Delta p = 0.5$ bar (For standard models)

* For details refer optional accessories Cat No: APA - 01

Precautions

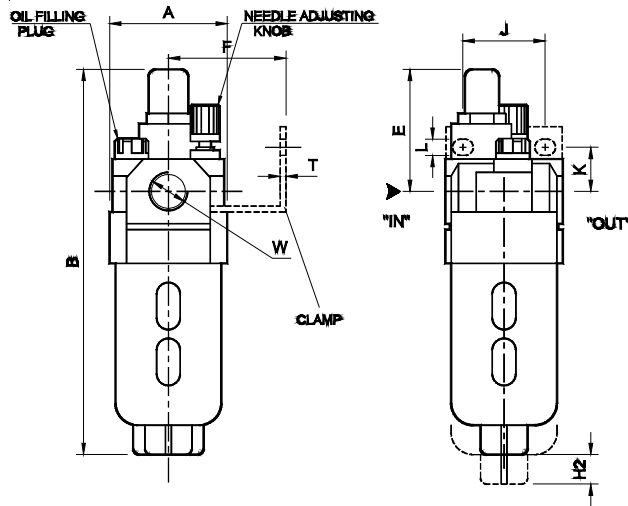
1. Note the direction of flow before installation and connect piping accordingly.
2. Flush pipings for dirt, dust, rust and other foreign particles.
3. Install in clean atmosphere.
4. Nipples of taper threads (R) to be used with teflon tape. Ensure teflon tape does not enter the unit during tightening. Nipples of straight threads (G) to be used with sealing washer.
5. Polycarbonate bowls may get damaged and possibly fail if exposed to synthetic oils, thinner, solvents, trichloroethylene, kerosene or other aromatic hydrocarbons.
6. Oil may be filled when under pressure. However it is recommended to vent the air completely before filling the oil.

AIR PREPARATION UNITS

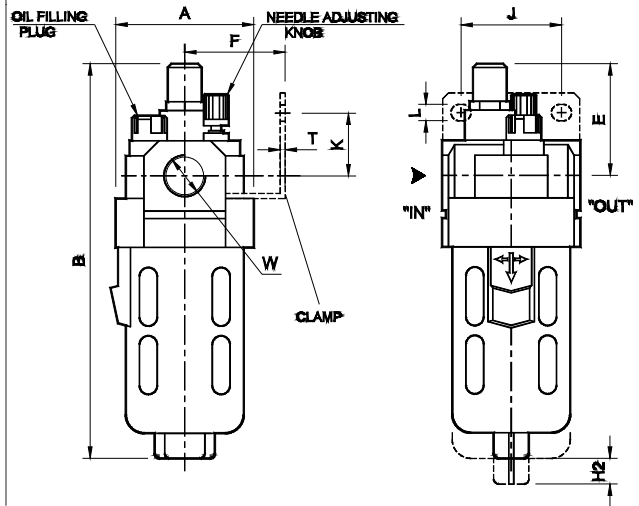
LUBRICATOR Series L1

Cat No L1-02

Model L13



Model L14 & L15

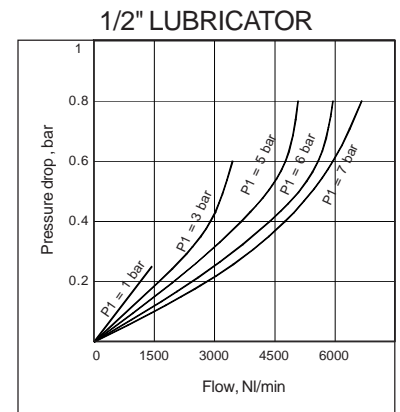
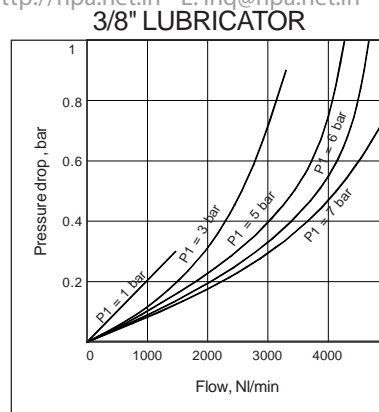
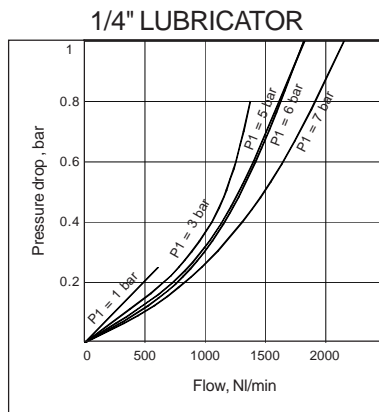


For Details of Clamp see optional accessories Cat No APA - 01

Model	W	A	B	E	K	F	J	L	T	H2
L13	G 1/4	40 ^D	135	42	15	30	28	5.5	2	35
L14	G 3/8	55 ^D	157	44	25	40	40	6.5	2	45
L15	G 1/2	70 ^D	190	46	25	50	55	8.5	2	45

Flow Graphs

HYDRO PNEUMATIC ACCESSORIES
W: <http://hpa.net.in> E: ingq@hpa.net.in



How to order

L 1



Body & Port size

3 6 1 -- G 1/4

4 6 2 -- G 3/8

5 6 3 -- G 1/2

Principle of Operation

A part of the air entering the Lubricator through " IN " pressurises the bowl chamber.

Flow of full air goes through " OUT " deflecting the " Deflector " and creating pressure drop below the sight dome .

The pressure in the Bowl presses the oil through the suction tube and the oil flows through the sight dome. All the oil drops seen through the sight dome mixes with the main - stream air and comes through " OUT " . The required oil drops can be adjusted by the adjusting needle.

Ordering example : Lubricator - 3 / 8 port size (with G 3/8 port) : Ordering No: L1462