



RADIAL PISTON PUMP 1R2

ENGINEERING

1

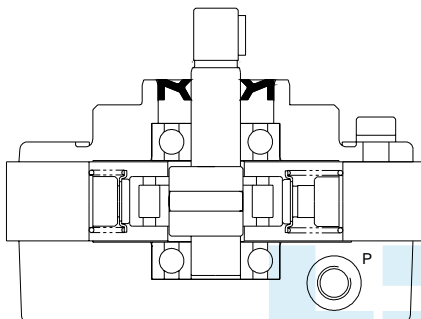
Ref. No. D11200A
Release 08/2006

Description

Radial piston arrangement, with 2 pumping elements, Oil immersed type, Open execution, Face mounting, Valve controlled, Fixed delivery, Bi-directional rotation of shaft.



Section



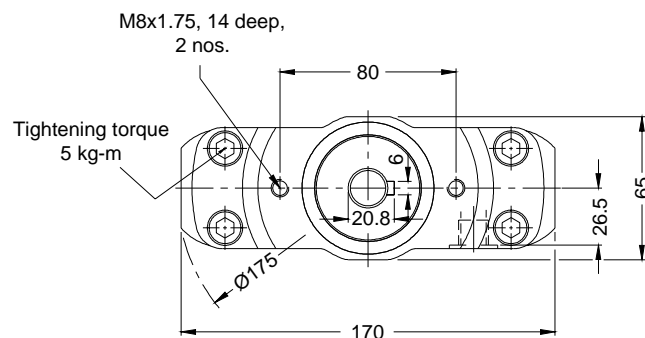
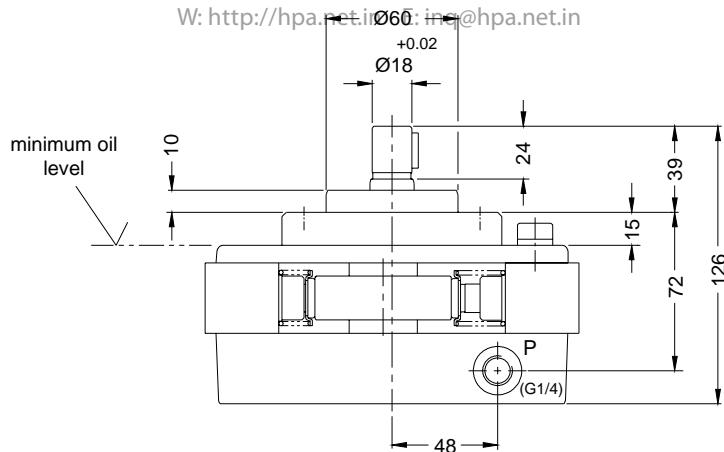
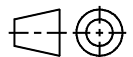
Hydraulic symbol



Unit dimension

HYDRO PNEUMATIC ACCESSORIES
W: <http://hpa.net.in> @hpa.net.in

Dimensions in mm.



Polyhydron Pvt. Ltd.
78-80, Machhe Industrial Estate,
Machhe, Belgaum - 590 014, INDIA.

Phone : +91-(0)831-2411001
Fax : +91-(0)831-2411002
E-mail : polyhydron@vsnl.com
Website : www.polyhydron.com



RADIAL PISTON PUMP 1R2

ENGINEERING

2

Ref. No. D11200A

Technical specification

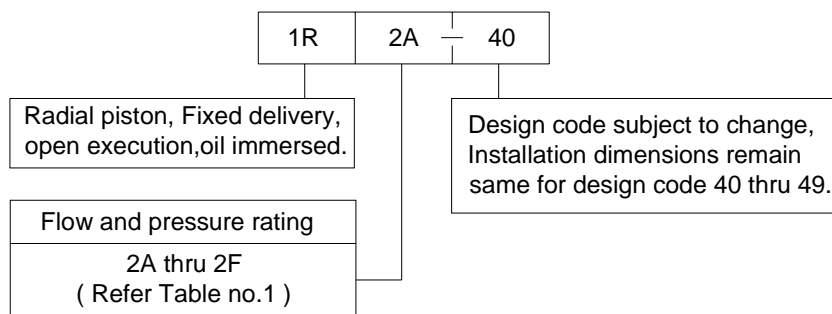
- Designation 1R basic radial piston pump group.
- Design Radial piston, valve controlled.
- No. of pistons 2
- Mounting Face mounting.
- Interface Factory standard.
- Direction of rotation Can be run in either direction.
- Connection Suction Sucks oil directly from tank no suction port is provided.
Delivery (port P) G1/4 female.
- Speed range 300 to 2000 rpm.
- Hydraulic medium Mineral oil.
- Viscosity range 10 to 100 cSt.
- Optimum viscosity range 16 to 32 cSt.
- Temperature range -10 °C to +80 °C. (Do not exceed viscosity limits at extreme temperatures for efficient running of the pump)
- Fluid cleanliness requirement As per ISO Code 16/13.
- Performance Refer Table No. 1.
- Mass 3 kg.

Table No. 1

| Code No. | Geometrical displacement CC / REV | Rated output at 1450 rpm. (l / min) | Operating pressure bar | Input power requirement (@ 1450 rpm) | | | | | | | | | | | | | | | | | | | | | |
|----------|-----------------------------------|-------------------------------------|------------------------|--------------------------------------|------|---------|------|---------|------|---------|------|---------|------|---------|------|---------|------|---------|------|---------|------|---------|------|---------|------|
| | | | | 50 bar | | 100 bar | | 150 bar | | 200 bar | | 250 bar | | 300 bar | | 350 bar | | 400 bar | | 450 bar | | 500 bar | | 550 bar | |
| | | | | KW | Hp | KW | Hp | KW | Hp | KW | Hp | KW | Hp | KW | Hp | KW | Hp | KW | Hp | KW | Hp | KW | Hp | KW | Hp |
| 2A | 0.8 | 1 | 550 | 0.11 | 0.15 | 0.2 | 0.33 | 0.33 | 0.47 | 0.47 | 0.6 | 0.6 | 0.8 | 0.67 | 0.93 | 0.8 | 1.07 | 0.93 | 1.2 | 1.07 | 1.4 | 1.13 | 1.53 | 1.27 | 1.67 |
| 2B | 1.25 | 1.67 | 450 | 0.18 | 0.24 | 0.33 | 0.47 | 0.53 | 0.73 | 0.73 | 0.93 | 0.87 | 1.2 | 1.07 | 1.47 | 1.27 | 1.67 | 1.4 | 1.93 | 1.6 | 2.13 | | | | |
| 2C | 1.81 | 2.47 | 350 | 0.26 | 0.35 | 0.53 | 0.67 | 0.8 | 1.07 | 1 | 1.4 | 1.27 | 1.73 | 1.53 | 2.07 | 1.8 | 2.4 | | | | | | | | |
| 2D | 2.13 | 2.87 | 300 | 0.3 | 0.41 | 0.6 | 0.8 | 0.93 | 1.2 | 1.2 | 1.6 | 1.53 | 2 | 1.8 | 2.4 | | | | | | | | | | |
| 2E | 2.46 | 3.33 | 250 | 0.35 | 0.47 | 0.67 | 0.93 | 1.07 | 1.4 | 1.4 | 1.87 | 1.73 | 2.33 | | | | | | | | | | | | |
| 2F | 2.83 | 3.87 | 200 | 0.4 | 0.54 | 0.8 | 1.07 | 1.2 | 1.6 | 1.6 | 2.13 | | | | | | | | | | | | | | |

Note : The first digit in the code no. indicates no. of pumping elements in the pump. The second letter indicates flow and pressure rating of the pumping elements. Code no. 2D, for example, indicates a pump with 2 pumping elements having rated flow of 2.86 lpm and operating pressure upto 300 bar.

Ordering code



Note : For Bell housing refer sheet no. P09035.



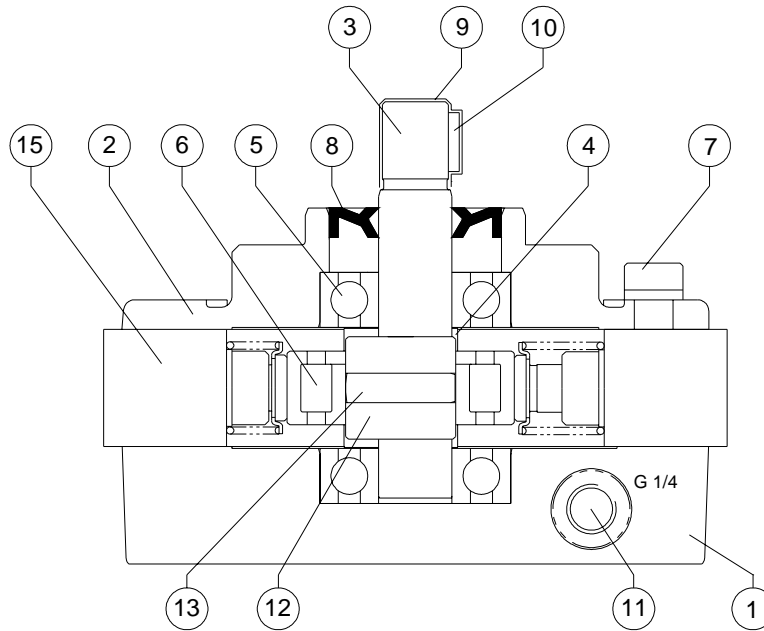
RADIAL PISTON PUMP 1R2

SERVICE

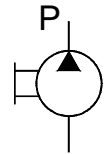
3

Ref. No. D11200A

Sectional view and Part list



Hydraulic symbol



| Sl.no. | Description | Part no. | Size | Qty. |
|--------|---|--|----------------|------|
| 1 | Valve plate | 11201 | | 1 |
| 2 | Cover plate | 11221 | | 1 |
| 3 | Shaft | 11241 | | 1 |
| 4 | Balancing Plate | 11253 | | 2 |
| 5 | Bottom Bearing | 11261 | 6304 | 2 |
| 6 | Centre Bearing. | 11265 | 2206 | 1 |
| 7 | Cap Screw | 11271 | M10 x 55 L | 4 |
| * 8 | Rotary shaft seal | 11278 | 20 x 47 x 8 | 1 |
| 9 | Plastic Cap | 11284 | 1RE | 1 |
| 10 | Shaft Key | 11292 | 6 x 6 x 16 L | 1 |
| 11 | Rubber Port Plug (00011) | 11273 | G 1/4 Plug Cap | 1 |
| 12 | Eccentric Bush | 11249 | | 1 |
| 13 | Dowel pin | 11270 | Ø8x29.8 | 1 |
| -- | -- | -- | -- | -- |
| Sl.no. | Description | Product | Qty. | |
| 15 | Pump element assly. (Refer Sheet No. A 11100) | 1R-A-01 1R-B-01 1R-C-01 1R-D-01 1R-E-01 1R-F-01 | 2 | |

Note : Specified part numbers are available as spares.
* Recommended seal kit.



RADIAL PISTON PUMP
1R2

SERVICE

4

Ref. No. D11200A

