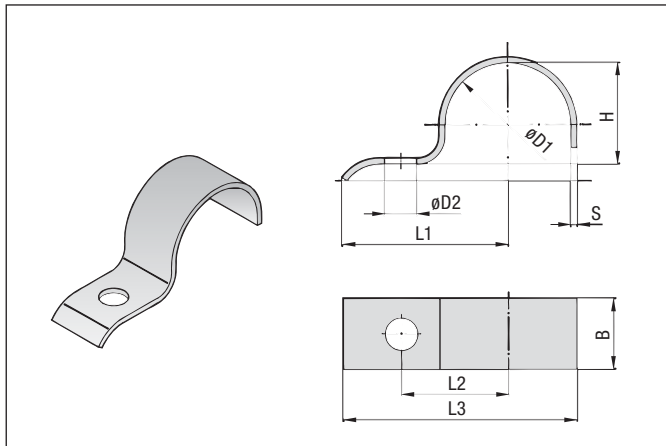


LIGHT SADDLES

according to **DIN 1596**



STAUFF Group ØD1	Diameter range	L1	L2	L3	H	D2	B	S
7	5,5 – 7	26	14	31,5	5	6,6	16	2
9	7 – 9	28	16	34,5	6			
13	9,5 – 13	30	18	38,5	9	6,6	20	2
15,5	13 – 15,5	32	20	41,75	12			
19	15,5 – 19	34	22	45,5	15			
23	20 – 23	43	28	57,5	19			
26	23 – 26	44	29	60	22	9	25	3
28,5	26 – 28,5	47	32	64,25	24			
31	28,5 – 31			65,5	27			
33*	31 – 33	56	36	75,5	29			
36	33 – 36	57	40	78	32			
39	36 – 39	59	42	81,5	34	11	30	3
43	39 – 43	61	44	85,5	38			
46	43 – 46	62	45	88	41			
49	46 – 49	67	48	95,5	44	14	40	4
52*	49 – 52	72	53	102	47			
58	53 – 58	74	55	107	52			
61	58 – 61	77	58	111,5	56			

* similar to DIN 1596

ORDER CODE

DIN 1596 - ***

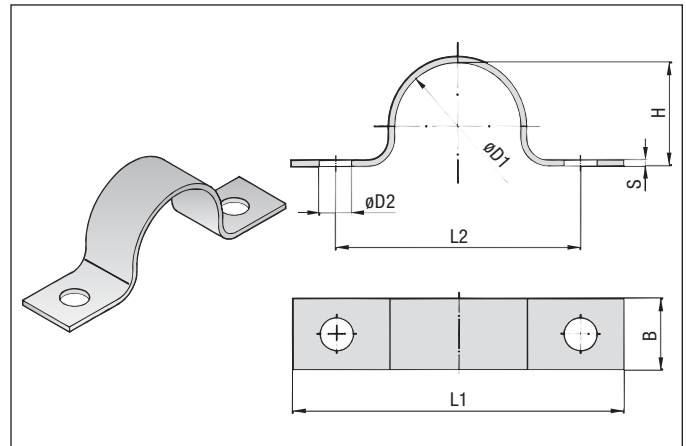


MATERIAL AND SURFACE FINISHING

STAUFF Group 7 – 61 **W66** carbon steel St 37, zinc plated, thick film passivated

Other materials, surface finishings and diameters on request.

according to **DIN 1597**



STAUFF Group ØD1	Diameter range	L1	L2	H	D2	B	S
7	5,5 – 7	44	28	5	5,5	16	1,5
9	7 – 9	48	32	6			
13	9,5 – 13	52	36	9			
15,5	13 – 15,5	56	40	12	6,6	20	2
19	15,5 – 19	60	44	15			
23	20 – 23	76	56	19			
26	23 – 26	78	58	22			
28,5	26 – 28,5	84	64	24	9	25	3
31	28,5 – 31			27			
33*	31 – 33	92	72	29			
36	33 – 36	104	80	32			
39	36 – 39	108	84	34			
43	39 – 43	112	88	38	11	30	3
46	43 – 46	114	90	41			
49	46 – 49	118	90	44			
52*	49 – 52	134	106	47			
58	53 – 58	138	110	52	11	30	3
61	58 – 61			56			

* similar to DIN 1597

ORDER CODE

DIN 1597 - ***



MATERIAL AND SURFACE FINISHING

STAUFF Group 7 – 61 **W66** carbon steel St 37, zinc plated, thick film passivated

Other materials, surface finishings and diameters on request.