

FOOT OPERATED VALVE

Series DP

Cat No DP - 01

FOOT OPERATED VALVE - G1/4

Features

- ❑ Valve
 - Poppet type
 - High reliability
 - High response
 - Compact size
 - Long life

- ❑ Foot pedal
 - Pressure die cast pedal
 - Convenient to operate without physical strain
 - Spring return type



Application

These valves are used as directional control valves to operate pneumatic cylinders (single or double acting).

Function

A 5/2 foot operated valve connected to a pneumatic cylinder (double acting type), when continuously pressed, makes the cylinder piston to move in the forward direction. As soon as the signal is removed, the pedal returns back due to a spring, and thus the cylinder retracts back to its home position.

Similarly a 3/2 foot operated valve, can be used to operate a single acting cylinder.

W: <http://hpa.net.in> E: inq@hpa.net.in

Technical Specification

Model	3 / 2	5 / 2
Port Size	G1/4	
Medium	Compressed air, filtered (lubricated / non-lubricated)	
Flow @	650 lts / min	
Operating pressure range	0 - 10 bar	
Ambient / Medium temperature	5° - 60° C	
Weight kg	0.665	0.815
Materials of construction	Aluminium, Steel, Brass, Acetal, Nitrile	

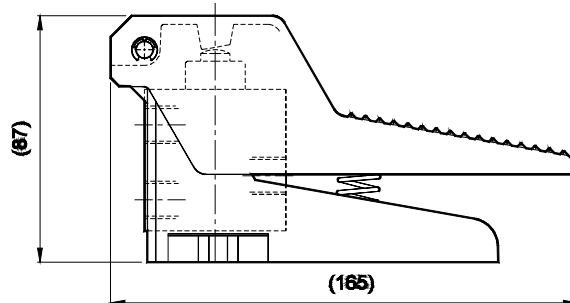
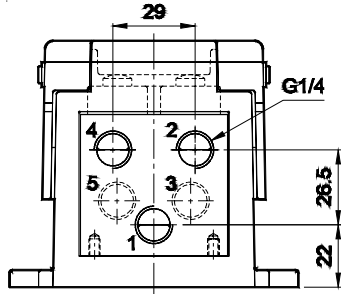
@ Inlet pressure 6 bar, and pressure drop 1 bar

FOOT OPERATED VALVE

Series DP

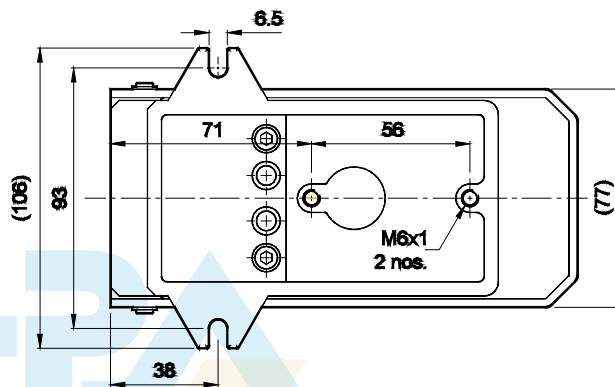
Cat No DP - 01

5 ports 2 position, Foot operated valve



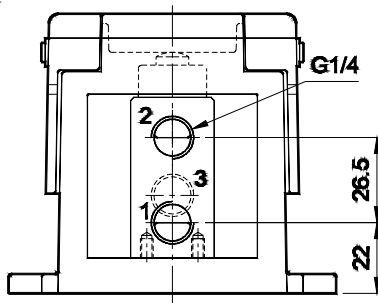
Model	DP055F61
Symbol	

- 1 - Inlet
- 2, 4 - Outlet
- 3, 5 - Exhaust



3 ports 2 position, Foot operated valve

HYDRO PNEUMATIC ACCESSORIES
W: <http://hpa.net.in> E: inquiry@hpa.net.in



Model	DP035F61 (3/2 way NO)	DP045F61 (3/2 way NC)
Symbol		

- 1 - Inlet
- 2 - Outlet
- 3 - Exhaust

Manufactured by

JANATICS INDIA PRIVATE LIMITED

E - 25, SIDCO Industrial Estate, Kurichi, Coimbatore - 641 021, INDIA

Tel : +91 422 672253 / 672752 / 672762 / 672800 Fax : +91 422 672304

Email: janatics@md2.vsnl.net.in

Web: www.janatics.com

Subject to change